



## ACION 8000 Series

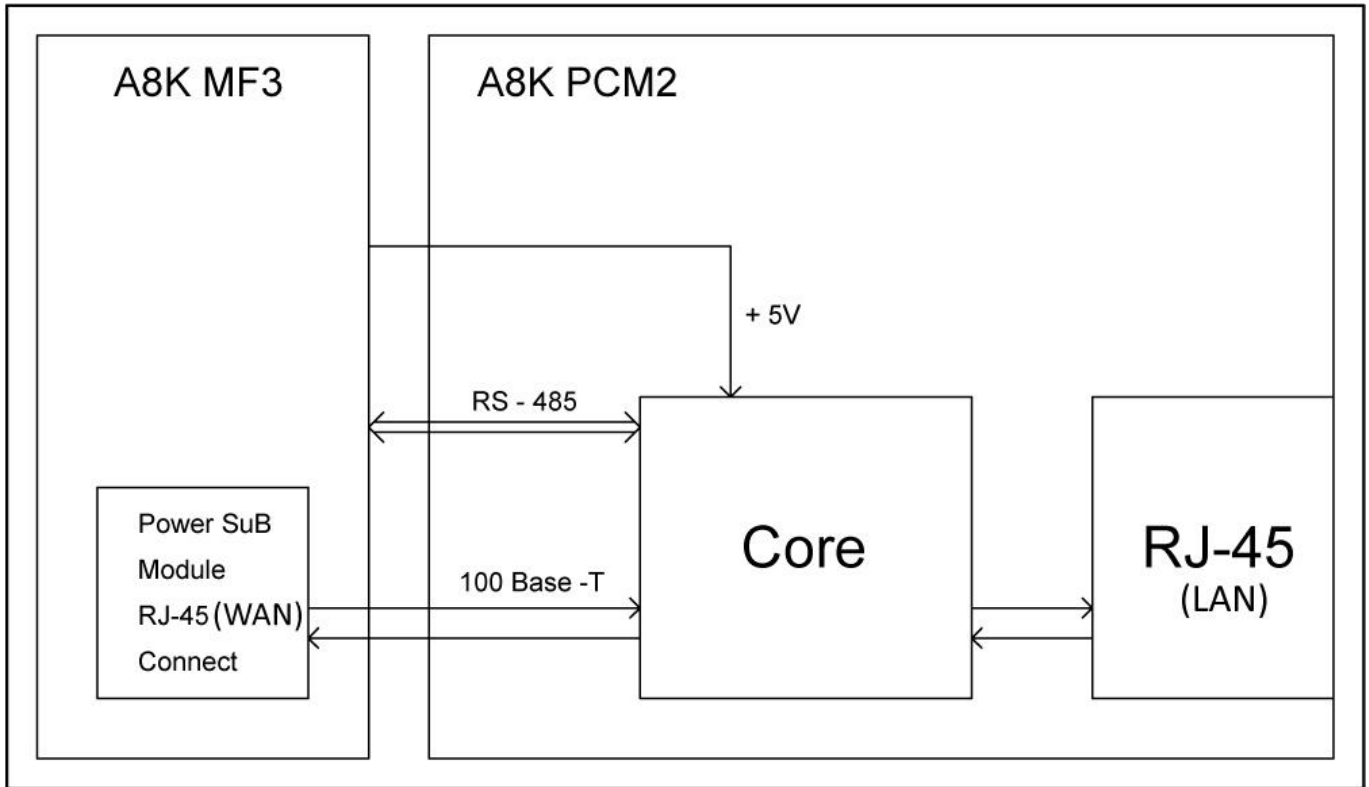
### A8KPCM2 – Platform Control Module

A8KPCM2 –The Enhanced Platform Control Module is used for configuration monitoring and setting the ACION 8000 plug-in application modules by web browser. The RJ45 web port can be used for local monitoring with a computer. The A8KPCM2 module can also be used for remote monitoring by HMS or SNMP. The smart mechanical design makes easy installation of the A8KPCM2 without occupying the plug-in application module space. The LCD display module is optional for local control of the A8KPCM2 by using a key pad on the front panel.

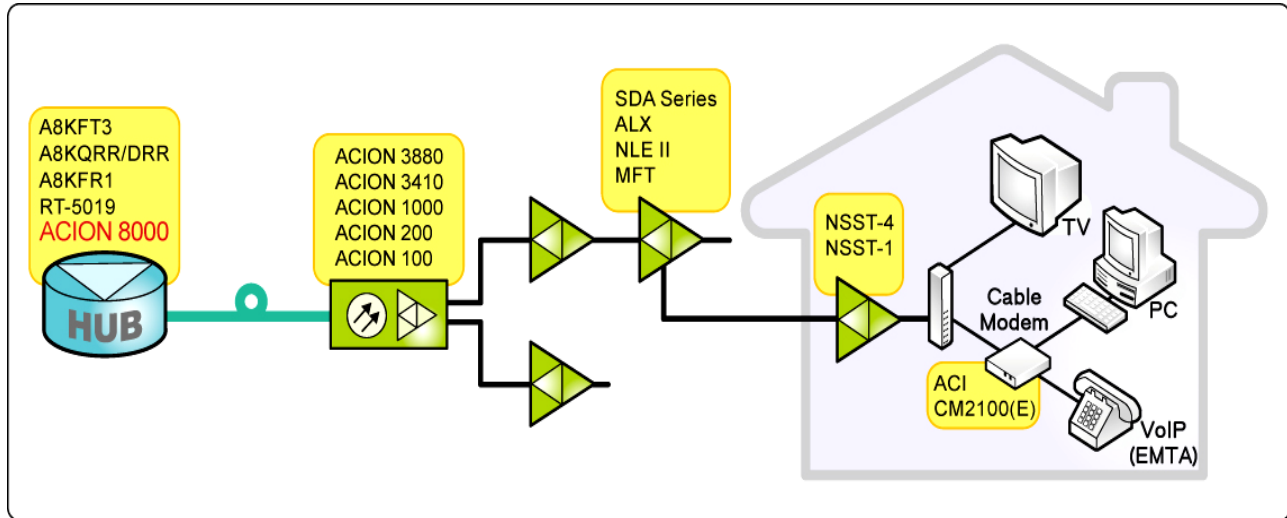
### Features

- ◆ Direct Web-based local control
- ◆ Hot-swappable
- ◆ Remote management from Internet
- ◆ Remote monitoring by HMS or SNMP
- ◆ Up to 192 modules can be monitored and controlled with one (1) Control module
- ◆ Firmware update by Ethernet
- ◆ LCD display module (optional)

## Block Diagram



## Application



## Specifications

<b>ACI</b>		<b>ACION8000 Series</b>		
		<b>A8KPCM2 - Enhanced Platform Control Module</b>		
PARAMETERS	CONDITIONS	UNITS	SPECIFICATIONS	NOTES
<b>Specifications</b>				
<b>RJ45 Port</b>			Ethernet	
<b>Environment</b>				
<b>A8KPCM2 Dimensions</b>	HxWxD	(mm)	128.3 x 106.2 x 406.1	
<b>Operating Temperature</b>		°F (°C)	32 to 122 (0 to 50)	
<b>Relative Humidity</b>	Non-condensing	%	0 - 95	
<b>LCD Module(Optional)</b>				
<b>Resolution</b>		dots	128 x 64	
<b>Screen Size</b>		mm	62 x 44	
<b>Dimension</b>		mm	78 x 70 x 12.1	

Note: A laptop computer with Ethernet port is needed to operate the A8KPCM2 without LCD module.

# Ordering Matrix

## A8KPCM2 Configuration Sheet

Customer: \_\_\_\_\_

Created By: \_\_\_\_\_ Order Date: \_\_\_\_\_

### ORDERING MATRIX

September 23, 2013

Position		1
<b>PART NUMBER</b>	<b>A8KPCM2</b>	

1

**Display option**

" (blank) = No LCD display module

L = with LCD display module

### NOTES:



ACI Communications, Inc.  
23307 66th Avenue South  
Kent, WA 98032

Rev C 11-15-2015 Printed in U.S.A.  
ACI Communications, Inc. reserves the right to discontinue the  
manufacture or change specifications without prior notice on any  
parts illustrated in this data sheet. Registered trademarks are the  
property of their respective owner