



ACION™ 8000 Series

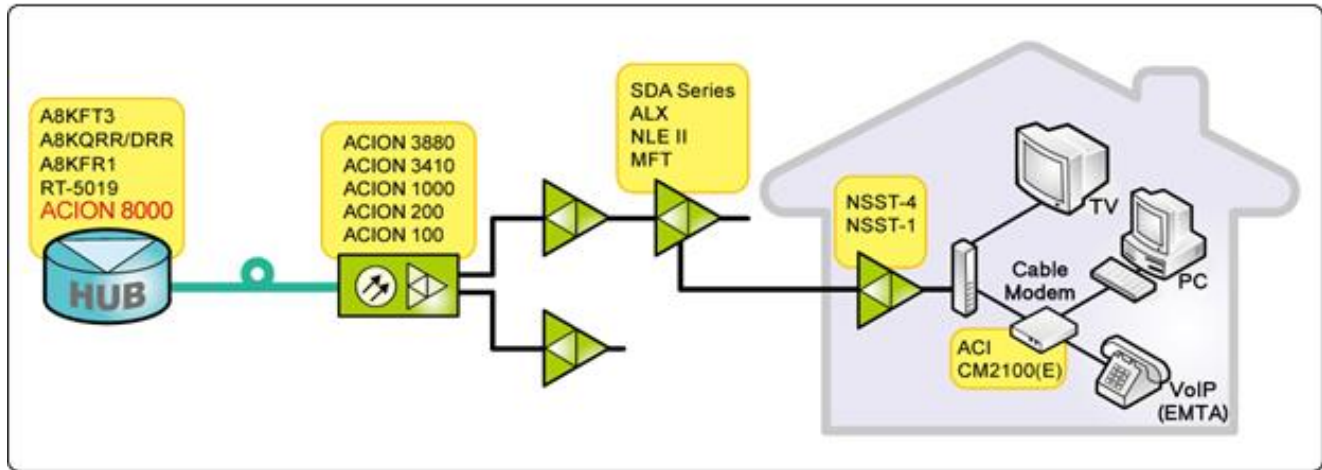
A8KMF3-3RU Main Frame

The A8KMF3-3RU Main Frame is a 3-inch rack-unit chassis that provides up to 16 slots which can accommodate the ACION8000 Headend series plug-in, application and power supply modules. The Shelf ID can be set by the dip switch (12 bit) when multiple Main Frames are controlled by one A8KPCM platform controller. The Fan controller monitors the fan status and responses to A8KPCM. The DC power connector can provide the DC power to the next A8KMF3. The RS485 I/O port can also be the interface to another A8KMF3. The alarm I/O provides the alarm signals to the equipment control center.

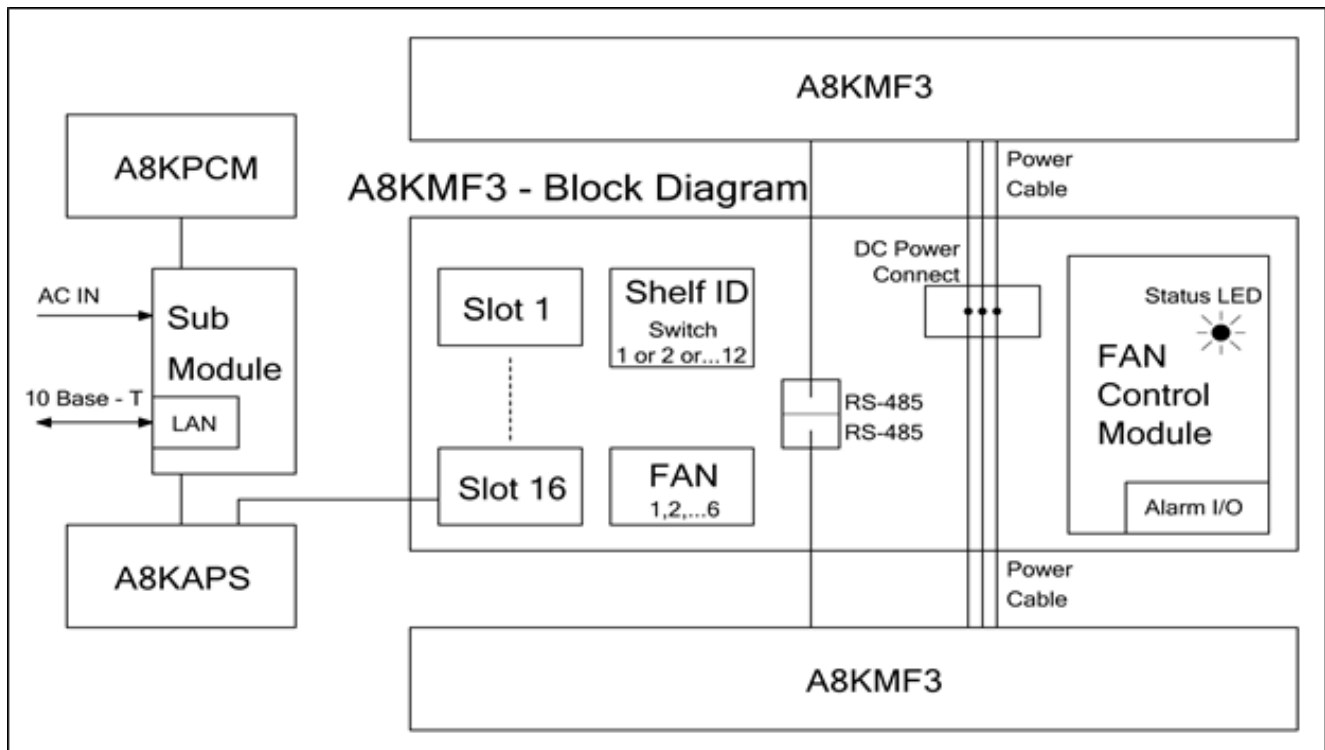
Features

- ◆ Designed for maximum density and flexibility: Up to 12 plug-in application modules, 2 power supplies and 1 control module in the 3RU housing
- ◆ Convenient Plug-and-Play application modules
- ◆ Simple insertion and removal of modules without the use of special tools
- ◆ Six hot-swappable cooling fans

Application



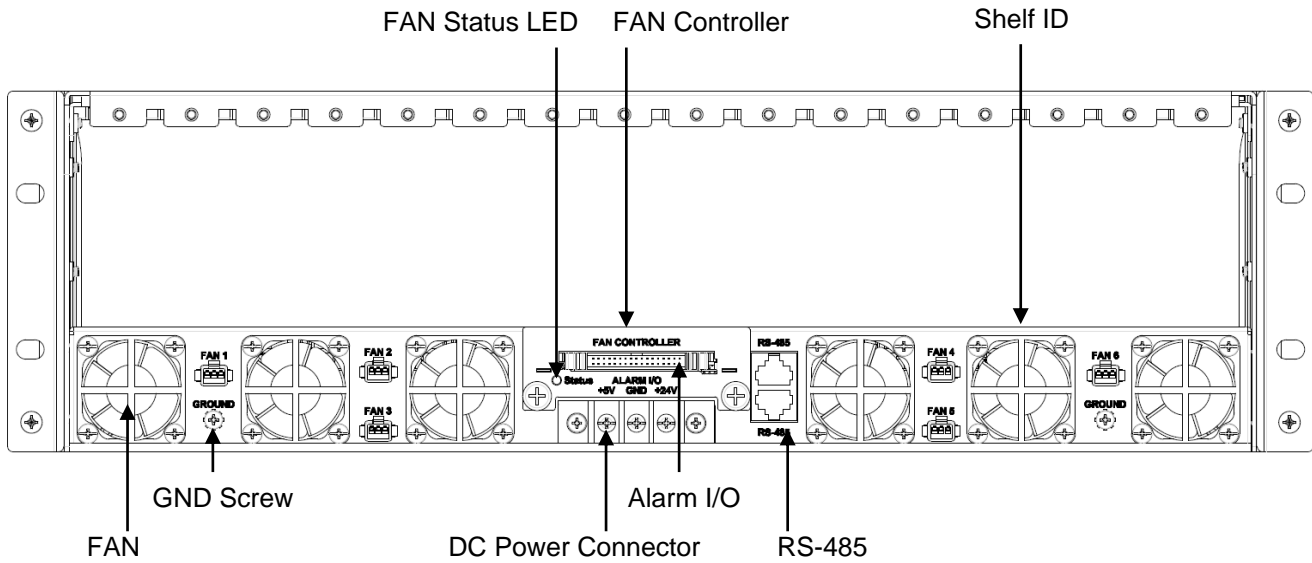
Block Diagram



Specifications

ACI		ACION 8000 Series A8KMF3 – 3RU Main Frame		
PARAMETERS	CONDITIONS	UNITS	SPECIFICATIONS	NOTES
Number of slots		slot	16 (12 application modules & 2 for Power Supplies)	
Hot-swappable cooling fans	Rear	6	Six fans to prevent overheating	
Dimensions(A8KMF3)	HxWxD	In(mm)	5.2 x 19.1 x 19.1 (133 x 485 x 485)	
Dimensions(A8KSUB)	HxWxD	In(mm)	3.4 x 4.1 x 2.2 (87.1 x 105.4 x 55.9)	
Operating temperature		°F (°C)	32 to 122 (0 to 50)	
Relative humidity	Non-condensing	%	0 to 95	
Interface				
RS-485	Rear	2	Interconnect multiple chassis with data transfer	
DC power connector	Rear	1	Interconnect multiple chassis with 5 VDC and 24 VDC	
External alarm I/O connector	Fan controller	1	Provides connections for external alarms	
LAN	A8KSUB	1	RJ-45, 10 Mbps	
Fuse	A8KSUB	2	10A, 250Vac	
Power Supply Sub Module	VAC VDC	1	100 - 240V,50/60Hz -48VDC	

A8KMF3 Rear Panel



Item	Name	Description
1	FAN	Total 6 sets (8.9 CFM), hot swappable
2	GND Screws	Ground connection
3	FAN Controller	A8KMF3 FAN Controller PCB, hot swappable
4	Alarm I/O	16 functional modules and 1 main frame alarm output pin. Alarm: high / Normal: low
5	FAN Status LED	FAN status monitoring, Normal: Green / Alarm: Red
6	DC Power Connector	+24Vdc, +5V dc and ground. DC power output to next A8KMF3 Mainframe - Input rating: DC 24 ± 0.5 V / 9 A, DC 5 ± 0.25 V / 6 A - Output rating: DC 24 ± 0.5 V / 9 A, DC 5 ± 0.25 V / 3.5 A - Please use ACI DC cable (P/N: 1076080002020), the diameter: >1.5mm. - For connection only to another A8KMF3 series - This connector supplies power to another A8KMF3 or be powered form another A8KMF3
7	RS-485	RS-485 I/O, interface to other A8KMF3.
8	Shelf ID	Setting A8KMF3 Shelf ID By RS-485 interface, it can interconnect multiple A8KMF3 at one site for single point control from an A8KPCM. Each A8KMF3 needs a different Shelf ID setting. Turn button up for "ON" Example: Setting Shelf ID to 10



A8KSUB Module Options



A8KSUB-1AC



A8KSUB-2AC



A8KSUB-1DC



A8KSUB-2DC

Ordering Matrix

A8KMF3 Configuration Sheet

Customer: _____

Created By: _____

ORDERING MATRIX

September 24, 2021

Position		1	2	3
PART NUMBER	A8KMF3	—	—	—

1~2

Power submodule type:

00 = No submodule

1A = Single AC power Input (A8KSUB-1AC) submodule

2A = Dual AC power Input (A8KSUB-2AC) submodule

1D = Single DC power Input (A8KSUB-1DC) submodule

2D = Dual DC power Input (A8KSUB-2DC) submodule

3

Power cord type

0 = Without power cord

1 = North America power cord

2 = Europe power cord

3 = Japan power cord

4 = Australia power cord

5 = Argentina power cord

6 = DC power cord

NOTES:



ACI Communications, Inc.
23307 66th Avenue South
Kent, WA 98032

Rev N 09-30-2021 Printed in U.S.A.

ACI Communications, Inc. reserves the right to discontinue the manufacture or change specifications without prior notice on any parts illustrated in this data sheet. ACI and DSIM are registered trademarks and ASEM and ACION are trademarks of ACI. Other trademarks are the property of their respective owners, and ACI is in no way affiliated with these companies.