



ACION 8000 Series

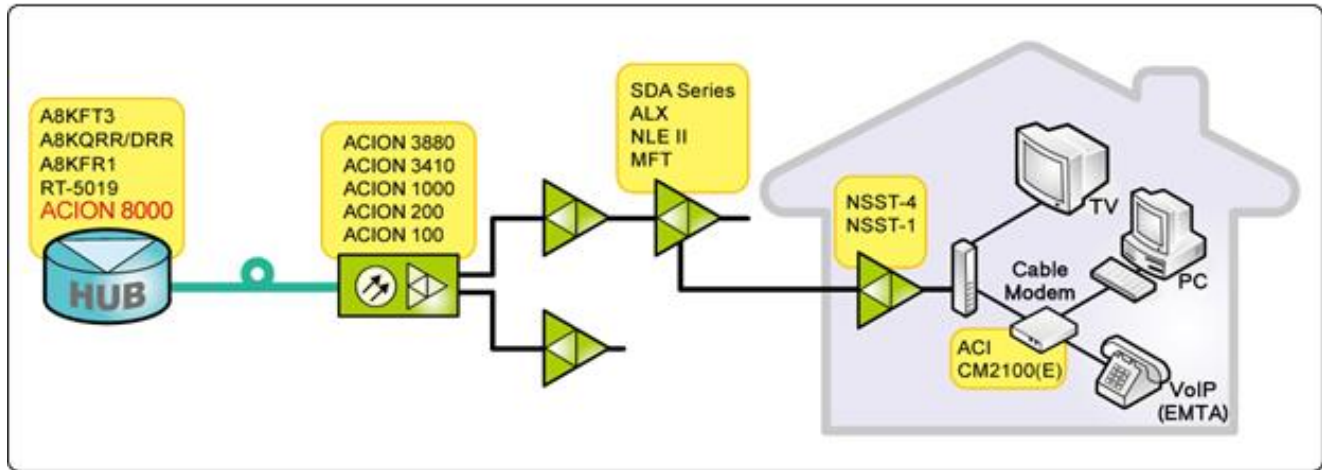
A8KMF3-3RU Main Frame

The A8KMF3-3RU Main Frame is a 3-inch rack-unit chassis that provides up to 16 slots which can accommodate the ACION8000 Headend series plug-in, application and power supply modules. The Shelf ID can be set by the dip switch (12 bit) when multiple Main Frames are controlled by one A8KPCM platform controller. The Fan controller monitors the fan status and responses to A8KPCM. The DC power connector can provide the DC power to the next A8KMF3. The RS485 I/O port can also be the interface to another A8KMF3. The alarm I/O provides the alarm signals to the equipment control center.

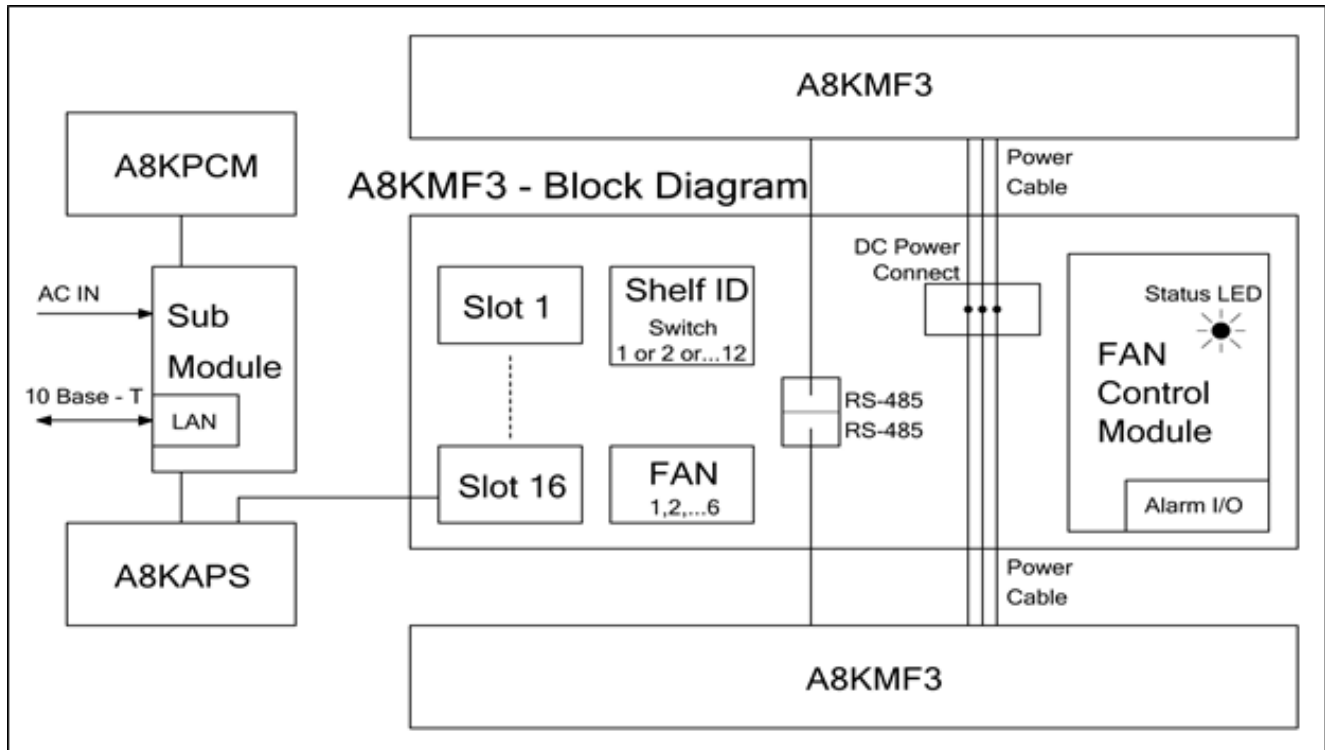
Features

- ◆ Designed for maximum density and flexibility: Up to 12 plug-in application modules, 2 power supplies and 1 control module in the 3RU housing
- ◆ Convenient Plug-and-Play application modules
- ◆ Simple insertion and removal of modules without the use of special tools
- ◆ Six hot-swappable cooling fans

Application



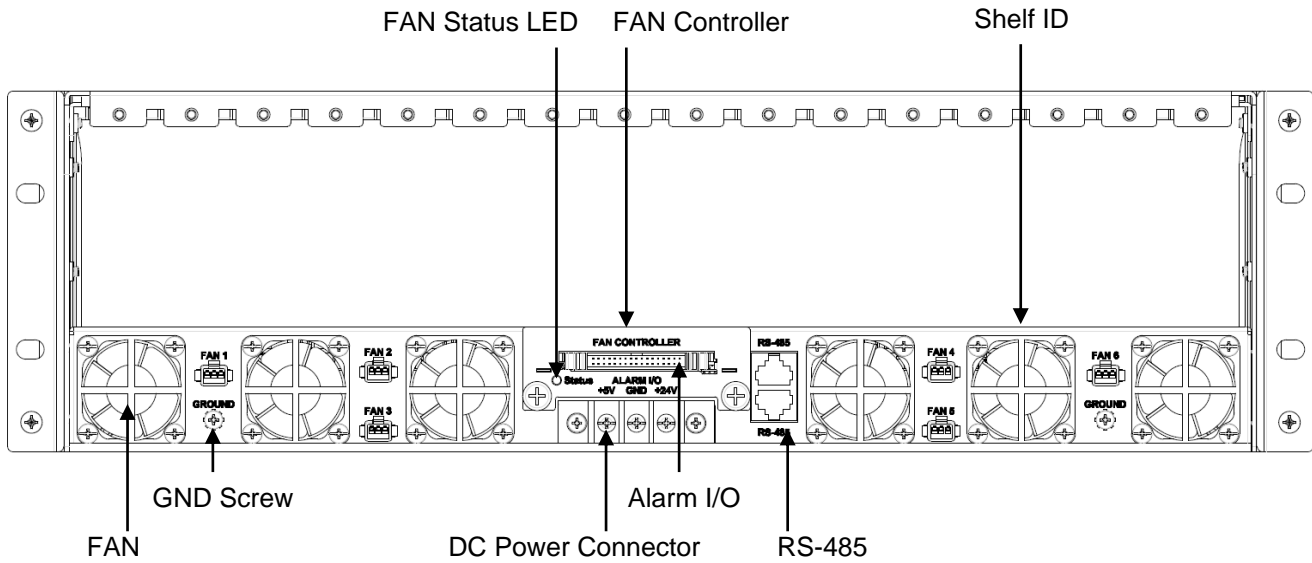
Block Diagram



Specifications

ACI		ACION 8000 Series A8KMF3 – 3RU Main Frame		
PARAMETERS	CONDITIONS	UNITS	SPECIFICATIONS	NOTES
Number of slots		slot	16 (12 application modules & 2 for A8KAPS)	
Hot-swappable cooling fans	Rear	6	Six fans to prevent overheating	
Dimensions(A8KMF3)	HxWxD	In(mm)	5.2 x 19.1 x 19.1 (133 x 485 x 485)	
Dimensions(A8KSUB)	HxWxD	In(mm)	3.4 x 4.1 x 2.2 (87.1 x 105.4 x 55.9)	
Operating temperature		°F (°C)	32 to 122 (0 to 50)	
Relative humidity	Non-condensing	%	0 to 95	
Interface				
RS-485	Rear	2	Interconnect multiple chassis with data transfer	
DC power connector	Rear	1	Interconnect multiple chassis with 5 VDC and 24 VDC	
External alarm I/O connector	Fan controller	1	Provides connections for external alarms	
LAN	A8KSUB	1	RJ-45, 10 Mbps	
Fuse	A8KSUB	2	10A, 250Vac	
Power Supply Sub Module	A8KSUB-AC (-2AC) A8KSUB-2DC	1	100 - 240V,50/60Hz -48VDC	Optional

A8KMF3 Rear Panel



Item	Name	Description
1	FAN	Total 6 sets (8.9 CFM), hot swappable
2	GND Screws	Ground connection
3	FAN Controller	A8KMF3 FAN Controller PCB, hot swappable
4	Alarm I/O	16 functional modules and 1 main frame alarm output pin. Alarm: high / Normal: low
5	FAN Status LED	FAN status monitoring, Normal: Green / Alarm: Red
6	DC Power Connector	+24Vdc, +5V dc and ground. DC power output to next A8KMF3 Mainframe - Input rating: DC 24 ± 0.5 V / 9 A, DC 5 ± 0.25 V / 6 A - Output rating: DC 24 ± 0.5 V / 9 A, DC 5 ± 0.25 V / 3.5 A - Please use ACI DC cable (P/N: 1076080002020), the diameter: >1.5mm. - For connection only to another A8KMF3 series - This connector supplies power to another A8KMF3 or be powered form another A8KMF3
7	RS-485	RS-485 I/O, interface to other A8KMF3.
8	Shelf ID	Setting A8KMF3 Shelf ID By RS-485 interface, it can interconnect multiple A8KMF3 at one site for single point control from an A8KPCM. Each A8KMF3 need the different Shelf ID setting. Turn to button up for "ON" Example: Setting Shelf ID to 10

A8KSUB Module options

1. A8KSUB-AC



2. A8KSUB-2AC



3. A8KSUB-2DC



Ordering Matrix

A8KMF3 Configuration Sheet

Customer: _____

Created By: _____

ORDERING MATRIX

November 19, 2020

Position		1	2	3
PART NUMBER	A8KMF3	—		—

1~2

Submodule type:

00 = No submodule

1A = Single AC power supply (APS) submodule

2A = Dual AC power supply (APS) submodule

1D = Single DC power supply (DPS) submodule

2D = Dual DC power supply (DPS) submodule

3

Power cord type

0 = without power cord

1 = with North America power cord

2 = with Europe power cord

3 = with Japan power cord

4 = with Australia power cord

5 = with Argentina power cord

6 = with DC power cord

NOTES:



ACI Communications, Inc.
23307 66th Avenue South
Kent, WA 98032

Rev L 12-12-2020 Printed in U.S.A.
ACI Communications, Inc. reserves the right to discontinue the manufacture or change specifications without prior notice on any parts illustrated in this data sheet. Registered trademarks are the property of their respective owner