



ACION 8000 Series

A8KFT3UD-13 1310nm (1.2GHz) Dual Forward Optical Transmitter

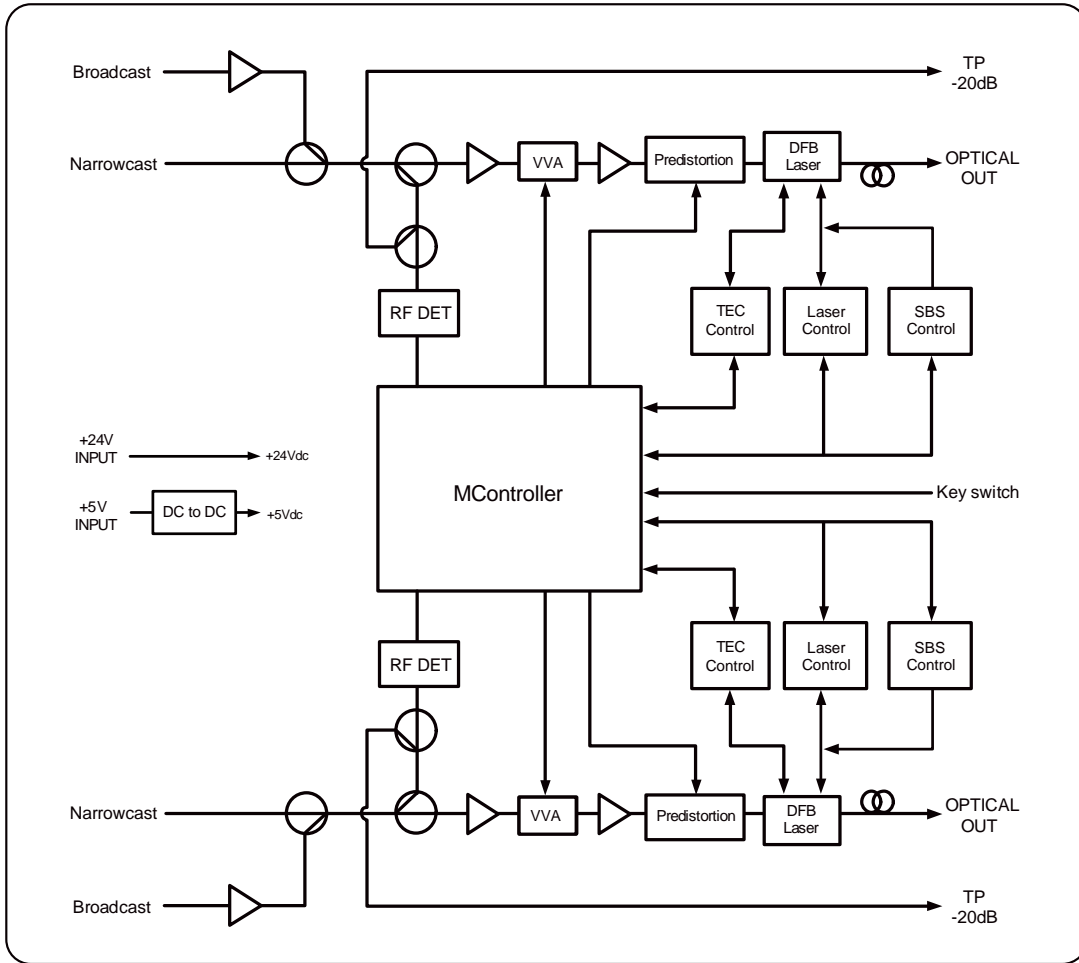
The ACION 8000 A8KFT3UD-13 is a head-end 1310nm 1.2GHz dual forward optical transmitter (Tx) for HFC or FTTH applications. This compact and cost-effective Tx module is 3RU in height and up to 12 Tx modules (24 transmitters) can be integrated in the 19-inch 3RU high-density chassis (A8KMF3).

The transmitter's adjustable OMI level and user define AGC setting features make it very convenient in field application with a wide range of RF input loading. The transmitter's RF path employs several stages of RF amplification that includes single ended low noise high linearity amplifiers and low noise push-pull amplifiers from G7/EU brand name vendors.

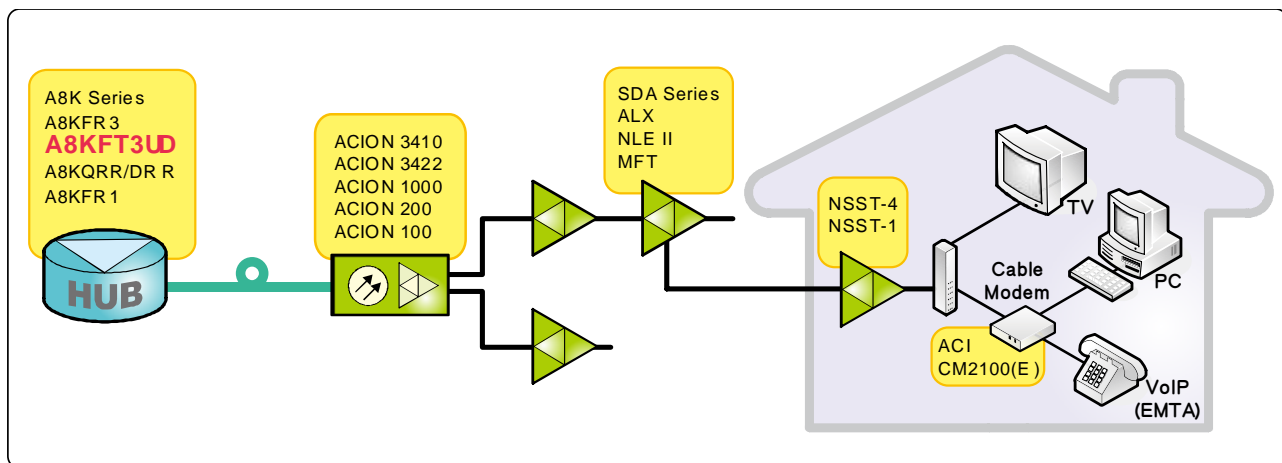
Features

- ◆ Dual transmitters in one module.
- ◆ Transmission bandwidth up to 1.2GHz.
- ◆ Cooled DFB laser diode with isolator.
- ◆ 1310 nm optical wavelength.
- ◆ AGC/MGC selection
- ◆ Video/CW Mode selection
- ◆ OMI level adjustments
- ◆ User defined AGC setting
- ◆ Hot - swappable
- ◆ Remote control and monitor functions via HMS or SNMP
- ◆ -20 dB RF front-panel test point

Block Diagram



Application:



Specifications

ACI		ACION 8000 Series A8KFT3UD-13 1310nm (1.2GHz) Dual Forward Optical Transmitter		
PARAMETERS	CONDITIONS	UNITS	SPECIFICATION	NOTES
Optical Specification				
Laser Type			Cooled DFB LD with isolator	
Optical Wavelength		nm	1310 ± 10	
Connector Type			SC/APC (standard) FC/APC, E2000/APC (optional)	
Optical Power		dBm	Standard: 3, 6, 10, 13 Optional: 4, 5, 7, 8, 9, 11, 12, 14, 15	15dBm need to refer to ordering information
RF Parameters				
Operating Bandwidth		MHz	50 to 1218	
Channel Loading	NTSC+Digital	channel	79ch Analog+47ch 256QAM+2x192MHz OFDM	
	All Digital		125ch 256 QAM + 2x192MHz OFDM	
RF Input Return Loss	75 ohm, Worst Case	dB	-16	
Broadcast RF Input Level	Analog	dBmV/ch	15	
	Digital		9	
Narrowcast RF Input Level	Digital only	dBmV/ch	15	(1)
AGC Range	AGC Mode	dB	15	
MGC Gain Control Range	MGC Mode	dB	0 to 15	
Flatness (Peak-to-Valley)	50 to 1218MHz	dB	± 0.6	
Test Point	50 to 1218MHz	dB	-20 ± 0.5	(2)
Port-to-Port Isolation (Narrowcast to Broadcast)		dB	50	
Distortion Performance (up to 1GHz)				
79ch analog + 75ch 256 QAM (digital channels are -6dB analog level)				
Composite Second Order (CSO)	Max.	dBc	-65	(3)
Composite Triple Beat (CTB)	Max.	dBc	-70	
Cross-Modulation		dBc	-65	(3)
Modulation Error Rate (MER)		dB	≥ 38	
Bit Error Rate (BER)	Pre-FEC		≤ 10 ⁻⁹	
Distortion Performance (up to 1.2GHz)				
30ch analog + 160ch 256 QAM (including 2x192MHz OFDM)				
Composite Second Order (CSO)	Max.	dBc	-63	(4)
Composite Triple Beat (CTB)	Max.	dBc	-65	
Cross-Modulation		dBc	-63	(4)
Modulation Error Rate (MER)		dB	≥ 38	
Bit Error Rate (BER)	Pre-FEC		≤ 10 ⁻⁹	

ACI		ACION 8000 Series A8KFT3UD-13 1310nm (1.2GHz) Dual Forward Optical Transmitter		
PARAMETERS	CONDITIONS	UNITS	SPECIFICATION	NOTES
125ch 256 QAM all digital loading				
Modulation Error Rate (MER)		dB	≥ 38	(5)
Bit Error Rate (BER)	Pre-FEC		≤ 10 ⁻⁹	
Electrical/Environmental/Mechanical				
RF Connector Type	Rear Panel		F type female	
Module Width		slot	1	
Dimensions	DxHxW	in. (mm)	16.1 x 5.0 x 1.0 (410.0 x 127.0 x 25.9)	
Weight		lbs. (kg)	1.65 (0.75)	
Number of parts Optical input Broadcast RF input Narrow cast RF input		Port	2 2 2	
Operating Temperature		°F (°C)	32 to 122 (0 to 50)	
Storage Temperature		°F (°C)	-40 to 149 (-40 to 65)	
Relative Humidity	Non-condensing	%	0 to 95	
Power Consumption	Max.	W	7.5	

Notes:

- Digital channel is -6dB from analog after combined with Broadcast Input
- Relative from the Broadcast Input
- 79ch analog+75ch 256QAM, 3.2% OMI, digital channels are -6dB from analog, received optical power = 0dBm
- 30ch analog+160ch 256QAM (including 2x192MHz OFDM), 3.2% OMI, digital channels are -6dB from analog, received optical power = 0dBm
- Tx models 3, 4 are tested with 5km SMF, Tx models 5-7 are tested with 10km SMF, Tx models 8-15 are tested with 20km SMF

Carrier-to-Noise

Model #	Output Power	Total Optical Link Loss (dB)																
		1	2	3	4	5	6	7	8	9	10	11	12	13	14	15	16	17
A8KFT3U-1310-03-xx	3-4 dBm	53.5	52.5	51.5	50.5	49.5												
A8KFT3U-1310-04-xx	4-5 dBm		53.5	52.5	51.5	50.5	49.5											
A8KFT3U-1310-05-xx	5-6 dBm			53.5	52.5	51.5	50.5	49.5										
A8KFT3U-1310-06-xx	6-7 dBm				53.5	52.5	51.5	50.5	49.5									
A8KFT3U-1310-07-xx	7-8 dBm					53.5	52.5	51.5	50.5	49.5								
A8KFT3U-1310-08-xx	8-9 dBm						53.5	52.5	51.5	50.5	49.5							
A8KFT3U-1310-09-xx	9-10 dBm							53.5	52.5	51.5	50.5	49.5						
A8KFT3U-1310-10-xx	10-11 dBm								53.0	52.0	51.0	50.0	49.0					
A8KFT3U-1310-11-xx	11-12 dBm									53.0	52.0	51.0	50.0	49.0				
A8KFT3U-1310-12-xx	12-13 dBm										53.0	52.0	51.0	50.0	49.0			
A8KFT3U-1310-13-xx	13-14 dBm											53.0	52.0	51.0	50.0	49.0		
A8KFT3U-1310-14-xx	14-15 dBm												53.0	52.0	51.0	50.0	49.0	
A8KFT3U-1310-15-xx	15-16 dBm													52.0	51.0	50.0	49.0	48.0

Note: CNR numbers are based on test conditions in notes 3 and 4 above.

Ordering Matrix

A8KFT3UD-13 1310nm Dual Forward Optical Transmitter Configuration Sheet

Customer: _____

Created By: _____

ORDERING MATRIX

2019/3/25

Position		1	2	3	4	5
PART NUMBER	A8KFT3UD-13	—		—		

1-2. Output Power

0	3	= 3 dBm (Standard)
0	4	= 4 dBm
0	5	= 5 dBm
0	6	= 6 dBm (Standard)
0	7	= 7 dBm
0	8	= 8 dBm
0	9	= 9 dBm
1	0	= 10 dBm (Standard)
1	1	= 11 dBm
1	2	= 12 dBm
1	3	= 13 dBm (Standard)
1	4	= 14 dBm
1	5	= 15 dBm (Actual output please choose in position #5)

3-4. Connector

S	A	= SC/APC with shutter (Standard)
F	A	= FC/APC
E	A	= E2000/APC
L	A	= LC/APC

5. Special / Customer

Blank = None Special request

A = 5.4% OMI/CH

B = Actual output 14.8 dBm minimum (For 15 dBm model only)

C = Actual output 15.0 dBm minimum (For 15 dBm model only)

NOTES:



ACI Communications, Inc.
23307 66th Avenue South
Kent, WA 98032

Rev A 9-10-2019 Printed in U.S.A.

ACI Communications, Inc. reserves the right to discontinue the manufacture or change specifications without prior notice on any parts illustrated in this data sheet. Registered trademarks are the property of their respective owner