



ASEM- LE



ASEM- BT, UBT, HGD, LGD

ASEM CISCO 1002 MHz RF UPGRADE MODULES

The ACI ASEM CISCO 1G RF upgrade modules are now offered with the Gallium Nitride (GaN) hybrid technology that allows for 3 dB higher output levels while maintaining the same specifications as the previous stations with the old (GaAs) hybrids. With this increase in the output level capabilities the cable operators are now able to ensure that even the long amplifier spacings will work. The 1002 MHz module can be dropped into 750 or 860 MHz spacing and it comes with the ACI DSIM module for increased signal stability.

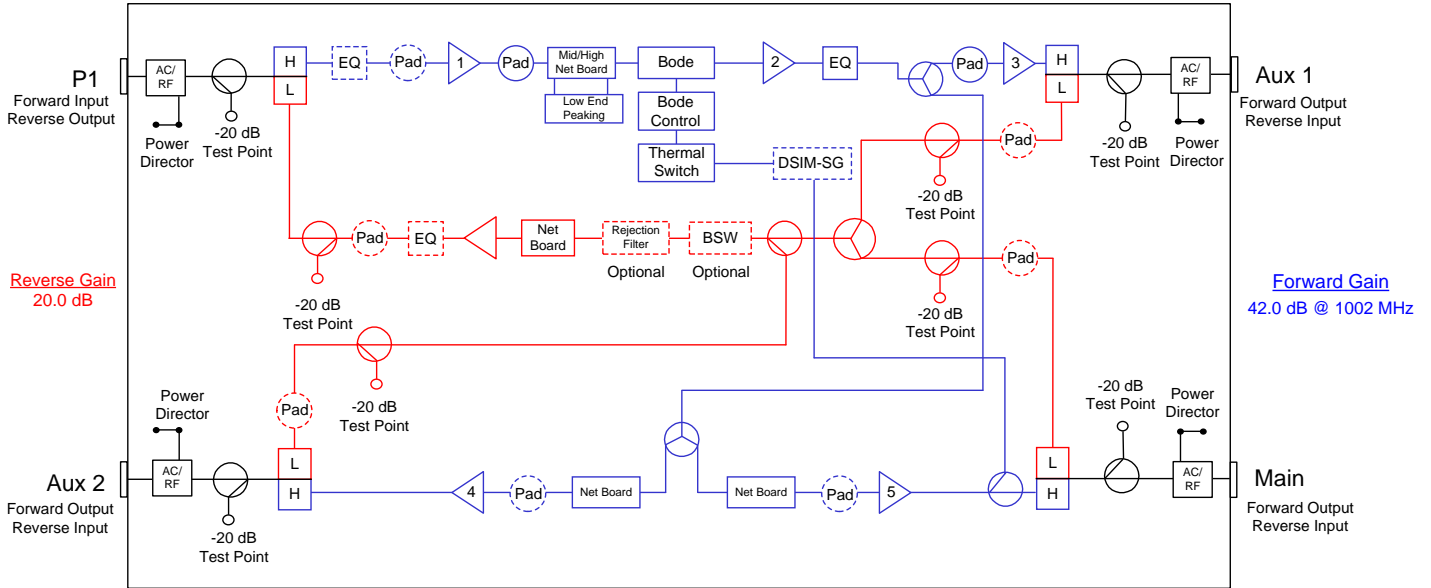
Features

- ◆ Drop-in 1G replacement RF modules for SA Sys II, III, and GainMaker®
- ◆ 5 to 42, 85 or 204 MHz reverse path
- ◆ Ideal for traditional HFC networks for increased performance & reliability
- ◆ Ideal for fiber deep networks with the extended reach of the amplifiers
- ◆ Lower power consumption than the OEM amplifiers
- ◆ Increased reliability with higher surge protection in the GaN hybrids
- ◆ Pad Adjustable EQs & REQs
- ◆ Automatic Gain Control with the patented DSIM-SG
- ◆ Up to 3 dB higher output levels with same distortion performance with GaN Hybrids

BLOCK DIAGRAM

ASEM-Balanced Triple

Balanced Triple BT 1002 MHz GaN Amplifier Block Diagram

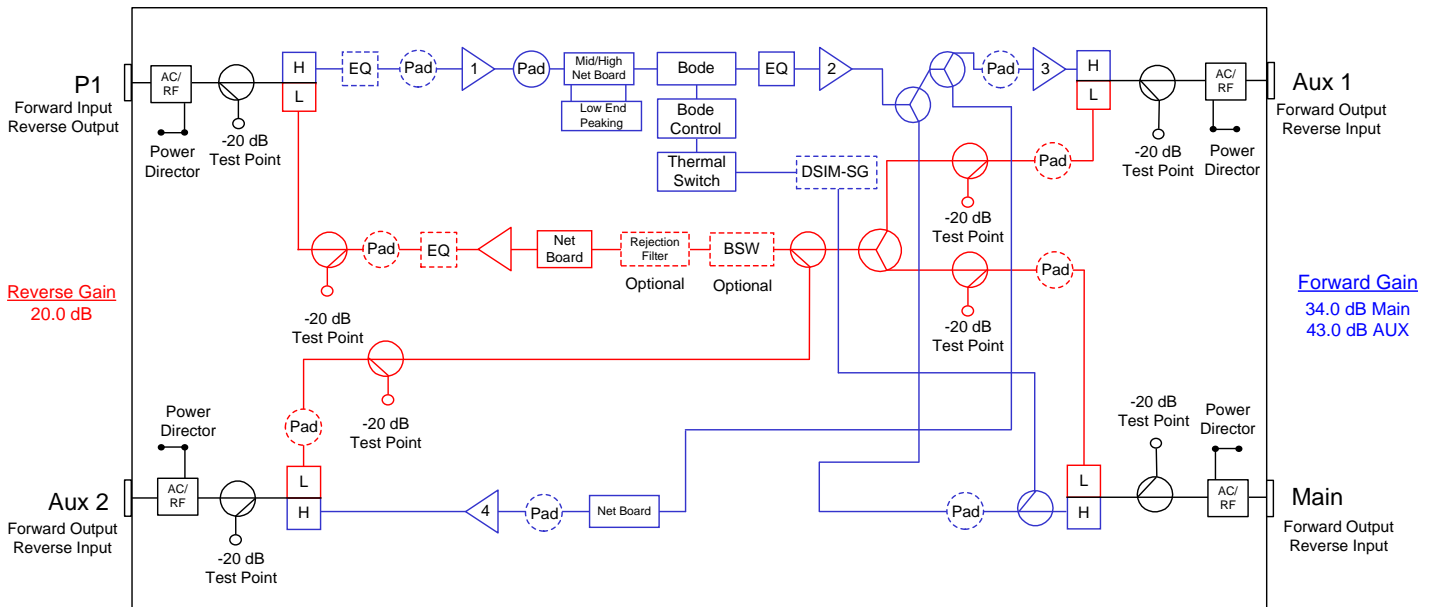


Note:

1. Forward gain stated at 1002 MHz with AGC. Reverse gain stated at 40 MHz.
2. The high gain options is only offered in the GaN hybrid configurations

ASEM-Unbalanced Triple

Unbalanced Triple UBT 1002 MHz GaN Amplifier Block Diagram

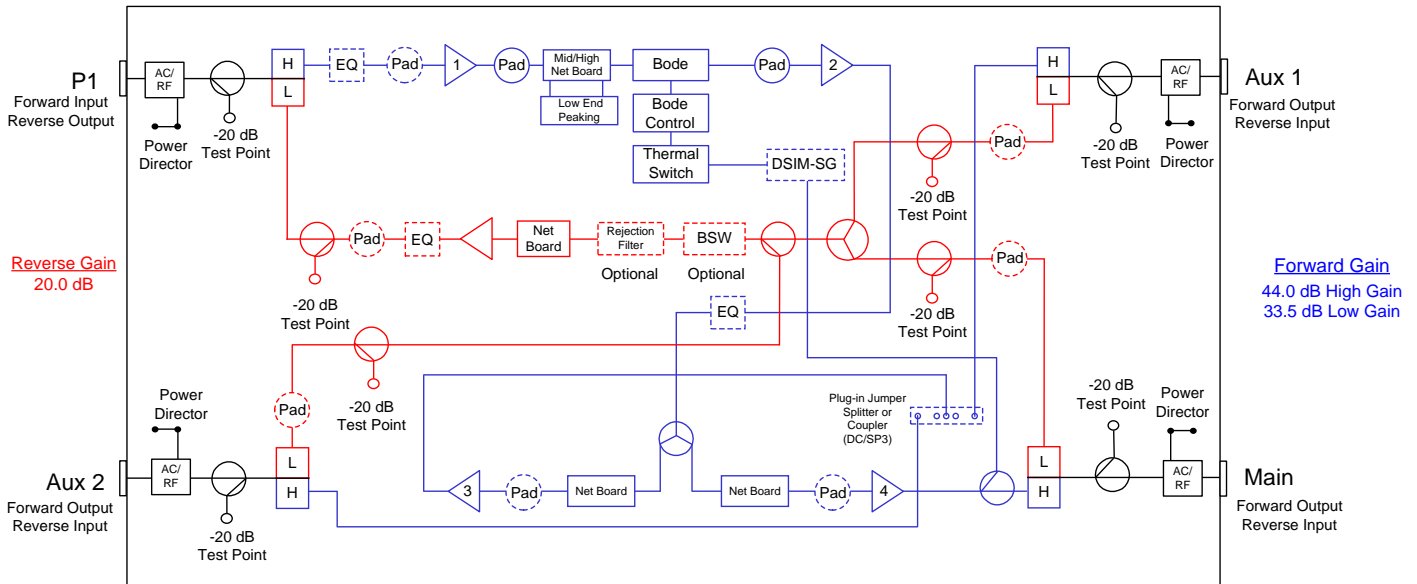


Note:

1. Forward gain stated at 1002 MHz with AGC. Reverse gain stated at 40 MHz.
2. The high gain options is only offered in the GaN hybrid configurations

ASEM-High and Low Gain Dual

High & Low Gain Dual (LGD & HGD) 1002 MHz GaN Amplifier Block Diagram

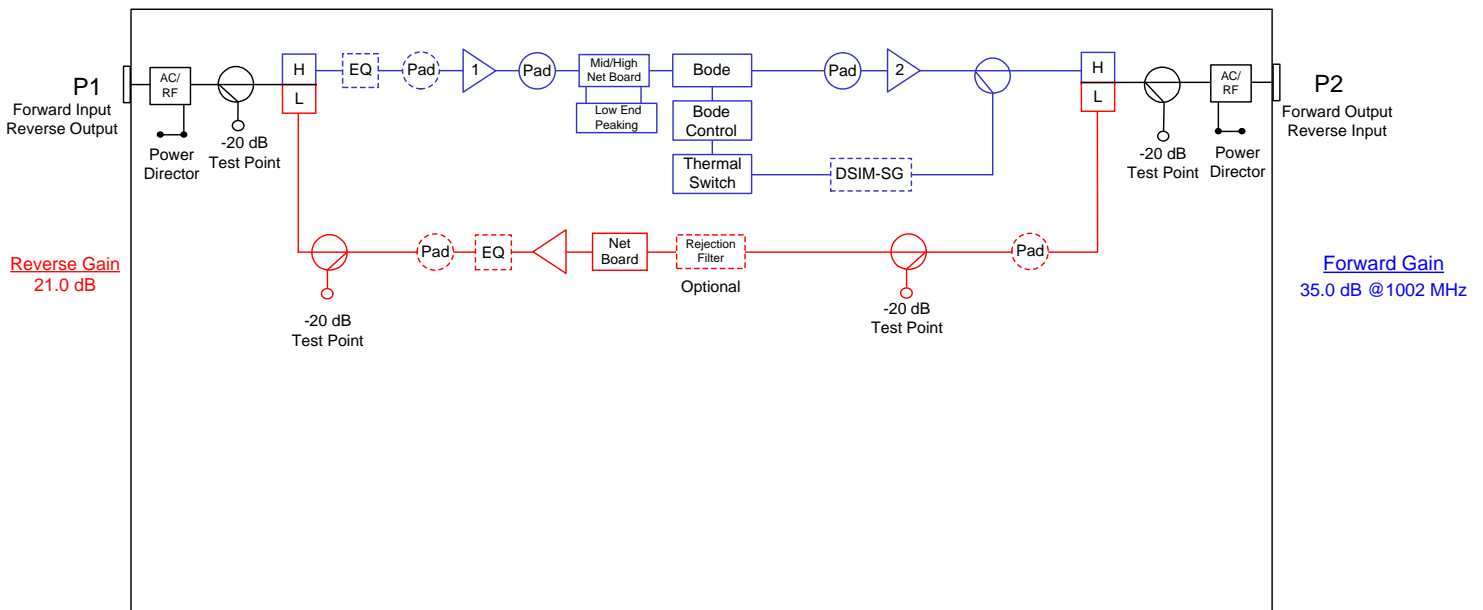


Note:

1. Forward gain stated at 1002 MHz with AGC. Reverse gain stated at 40 MHz.
2. The high gain options is only offered in the GaN hybrid configurations

ASEM-One Output Line Extender

Line Extender (LE) 1002 MHz GaN Amplifier Block Diagram



Note:

1. Forward gain stated at 1002 MHz with AGC. Reverse gain stated at 40 MHz.
2. The high gain options is only offered in the GaN hybrid configurations

SPECIFICATIONS

STATION PARAMETERS: 1002 MHz 42-53 MHz Split			ASEM CISCO GainMaker RF Modules 1002 MHz With GaN Hybrids						
		CONDITIONS	UNITS	SPECIFICATIONS					
Housing passband			MHz	5 to 1002					
Max AC current		Continuous	Amps	15					
Max AC current		Surge	Amps	25					
Hum modulation		Time domain @ rated current above	-dBc	65 @ 5-42 MHz 70 @ 54-1002 MHz					
Return loss		Any port, worst case	dB	16.0					
Test Points									
Frequency range			MHz	5 to 42 (Reverse) / 54 to 1002 (Forward)					
Test point type		Directional coupler	N / A						
Test point level		Forward & reverse	-dB	20.0					
Test point accuracy		Forward & reverse	±dB	0.75					
Station Slope									
				BT	UBT	HGD	LGD	LE	
Internal Slope (Tilt)		± 0.5 dB	dB	15.0	15.0	15.0	15.0	15.0	
Slope control type		Cable equalizers	dB	Plug-in Pad Adjustable EQ's					
Slope control range		Includes cable equivalent	dB	-9.0 to +18					
Slope control steps		Equalizer value steps	dB	1.0					
Station Group Delay									
Group delay		Channel 2 (Std)	nSec / 3.58 MHz	40					
Group delay		Channel 3		16					
Group delay		Channel 4		10					
Group delay		Channel 5 & >		3					
AGC									
				DSIM-SG Single Pilot Channel AGC					
Pilot Channel Type			N / A	NTSC Analog or QAM					
Compensation Range			dB	System compensation input change ± 5.5 @ 1002 MHz					
Accuracy			±dB	0.5					
Nominal loss		@ 77 °F (25 °C)	dB	6.25					
Center frequency bandwidth				6 (MHz)					
Configuration									
				BT	UBT	HGD	LGD	LE	
Operational Specifications									
				Main	AIX				
Station passband			MHz	54 to 1002					
Station flatness		Normalized w / 0 dB slope	±dB	0.5	0.5	0.6	0.5	0.5	0.5
Gain - With AGC		Minimum @ 1002 MHz (Temperature stabilized)	dB	42.0	34.0	43.0	44.0	33.5	35.0
550 MHz analog channel loading, 79 channels +450 MHz digital channel loading, 256 QAM at -6 dBc relative to its associated visual carrier									
Station Output Levels									
				BT	UBT		HGD	LGD	LE
					Main	AUX			
Output Level @...	1002 MHz	dBmV		55.0	44.0	53.0	55.0	53.0	53.0
	870 MHz			52.9	41.9	50.9	52.9	50.9	50.9
	750 MHz			51.0	40.0	49.0	51.0	49.0	49.0
	650 MHz			49.4	38.4	47.4	49.4	47.4	47.4
	550 MHz			47.9	36.9	45.9	47.9	45.9	45.9
	54 MHz			40.0	29.0	38.0	40.0	38.0	38.0
Reference Output Slope (Tilt)		54-1002 MHz	dB	15.0					
Station Noise Figure									
Noise figure		Typ. @ 54 MHz	dB	12.0	10.5		13.0	15.5	9.5
(w / 1 dB for input EQ loss)		Typ. @ 550 MHz	dB	8.0	7.0		9.0	10.0	7.0
		Typ. @ 1002 MHz	dB	9.0	9.0		10.5	10.0	8.5
Station Distortions (Worse Case)									
Composite Triple Beat			-dBc	68	78	72	70	71	71
Cross Modulation			-dBc	63	72	65	66	68	68
Composite Second Order High Side			-dBc	68	76	70	68	70	70

SPECIFICATIONS

REVERSE SPECTRUM:								
REVERSE - CHANNEL LOADING - Typically 23 each, 1.5 MHz wide QPSK channels.								
Reverse - General		CONDITIONS	UNITS	SPECIFICATION				
Station passband			MHZ	5 to 42				
Station flatness		Normalized w / 0 dB slope	±dB	0.5				
Reverse - Station Gain				BT	UBT	HGD	LGD	LE
Gain		Minimum	dB	20.0	20.0	20.0	20.0	21.0
Gain control type				Plug-in pads				
Gain control range			dB	12.0				
Gain control steps		Pad value steps	dB	0.5				
Reverse - Station Slope								
Slope control type		Cable equalizers	N / A	Plug-in EQs				
Slope control range			dB	0 to 12.0				
Slope control steps		Equalizer value steps	dB	1.0				
Reverse - Station Output Levels								
@ Forward input port		Average	dBmV	35.0				
REVERSE - STATION DISTORTIONS								
Composite Second Order		6 channel loading	-dBc	82.0				
Composite Tripe Beat				90.0				
Cross Modulation				80.0				
Reverse - Station Group Delay								
Group delay		5 MHz	nSec / 1.5 MHz	36				
Group delay		7 MHz		16				
Group delay		10 MHz		4				
Group delay		35 MHz		10				
Group delay		38.5 MHz		25				
Reverse - Noise Figure				BT	UBT	HGD	LGD	LE
Station noise figure (w / EQ)		Across the bandwidth	dB	15.0	15.0	15.0	15.0	10.0
Power Requirements:								
Configuration				BT	UBT	HGD	LGD	LE
With DSIM-SG		Includes reverse (Worst case)	W	53.6	52.8	46.5	40.5	29.2
Environmental								
Operating temperature			°F (°C)	-40 to +140 (-40 to +60)				

Ordering Matrix

ASEM Cisco Product Configuration Worksheet

Customer: _____

Created By: _____ Order Date: _____

ORDERING MATRIX

July 26, 2018

Position	1	2	3	4	5	6	7	8	9	10	11	12	13	14
PART NUMBER	A	G	M	-										

5,6 **STATION TYPE**

LE = 1 Output LE

LD = 3 Output Bridger Low Gain (LGD)

HD = 3 Output Bridger High Gain (HGD)

BT = High Gain Balanced Triple (BT)

UT = High Gain Unbalanced Triple (UBT)

7 **BANDWIDTH FREQUENCY**

1 = 1002 MHz

8,9 **STATION GAIN (Forward)**

For 0.5 dB gain values, use the first two digits listed in the part number

Frequency Amplifier Model	54-1002 MHz				
	LE	LD	HD	BT	UT
Max gain with DSIM-SG	35.0	33.5	44.0	42.0	34.0
Max gain w/o AGC	41.5	39.5	44.0	42.0	40.0

10 **FORWARD GAIN CONTROL TYPE**

M = Manual (No AGC)

D = Digital Station Intelligence Manger (DSIM-SG)

11 **STATION SLOPE**

	42/54	85/105	204/258
H =	15.0	14.0	13.0

12 **BANDPASS SPLIT**

4 = 42/53

8 = 85/105

2 = 204/258

13 **STATION GAIN (Reverse)**

R = 21.0 dB min (LE)

T = 20.0 dB min (LD, HD, BT & UT)

14 **CUSTOM OPTIONS**

0 = NONE

X = Determined by Product Management

Generic Order Form: Not all configurations are available



ACI Communications, Inc.
23307 66th Avenue South
Kent, WA 98032