



AFM2-L
Compatible With
Arris 331e
Line Extender



AFM2-T / B
Compatible With
Arris 901e
FMB/FMT

ASEM™ Complete Stations & RF Modules 1218 MHz For C-Cor™/Arris®

The ACI ASEM 1.2G replacement upgrade RF modules for C-Cor™/Arris® are designed to work up to a high forward output of 57 dBmV. The return bandwidth split can be easily changed from 42 to 85 or 204 MHz with the use of field conversion kits. ACI's patented DSIM advanced technology keeps both the forward and return signals stable and reliable over extreme temperature swings. Having return band stabilization over temperature has become much more important as return band is increased to 204 MHz. Having the increased return gain of 28 dB enables these amplifiers to drop into existing designs from 750 MHz to 1 GHz.

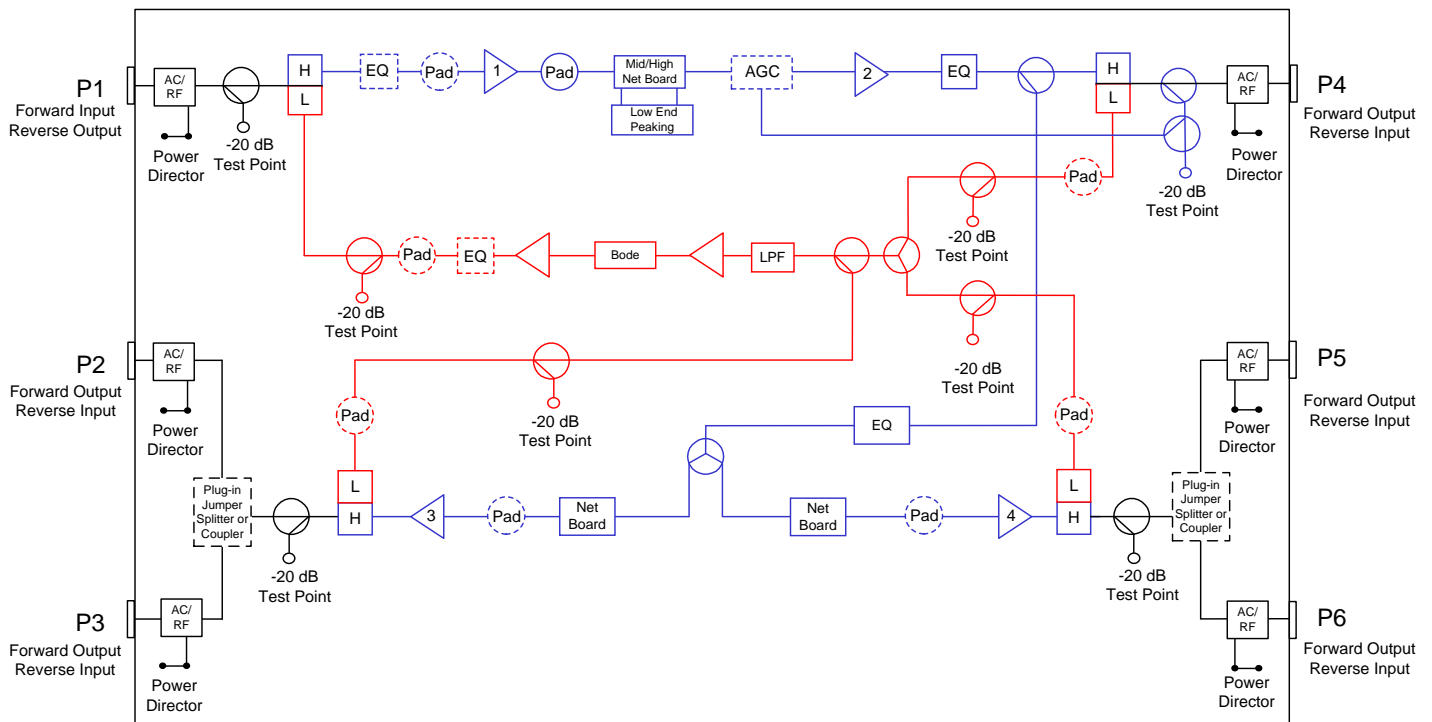
Features

- ◆ AFM2-T Trunk is compatible with Arris FMT902 and is a 1.2G drop-in replacement for the C-Cor FNT700, FNT800, FNT900, FMT901e
- ◆ AFM2-B Bridger is compatible with Arris FMB902 and is a 1.2G drop-in replacement for the C-Cor FNB700, FNB800, FNB900, FMB901e
- ◆ AFM2-L Line Extender is compatible with Arris/C-Cor FM332 and is a 1.2G drop-in replacement for the C-Cor FM331e, E6 and E7 Line Extender
- ◆ Patented DSIM® Technology (programmable AGC)
- ◆ DSIM controlled return band AGC
- ◆ Easy upgrade to 85/105 or 204/258 MHz return bandwidth.
- ◆ Pad adjustable forward and return EQ's
- ◆ DSIM Android & Apple iOS setup applications
- ◆ Complete stations available
- ◆ RoHS Compliant

Block Diagrams

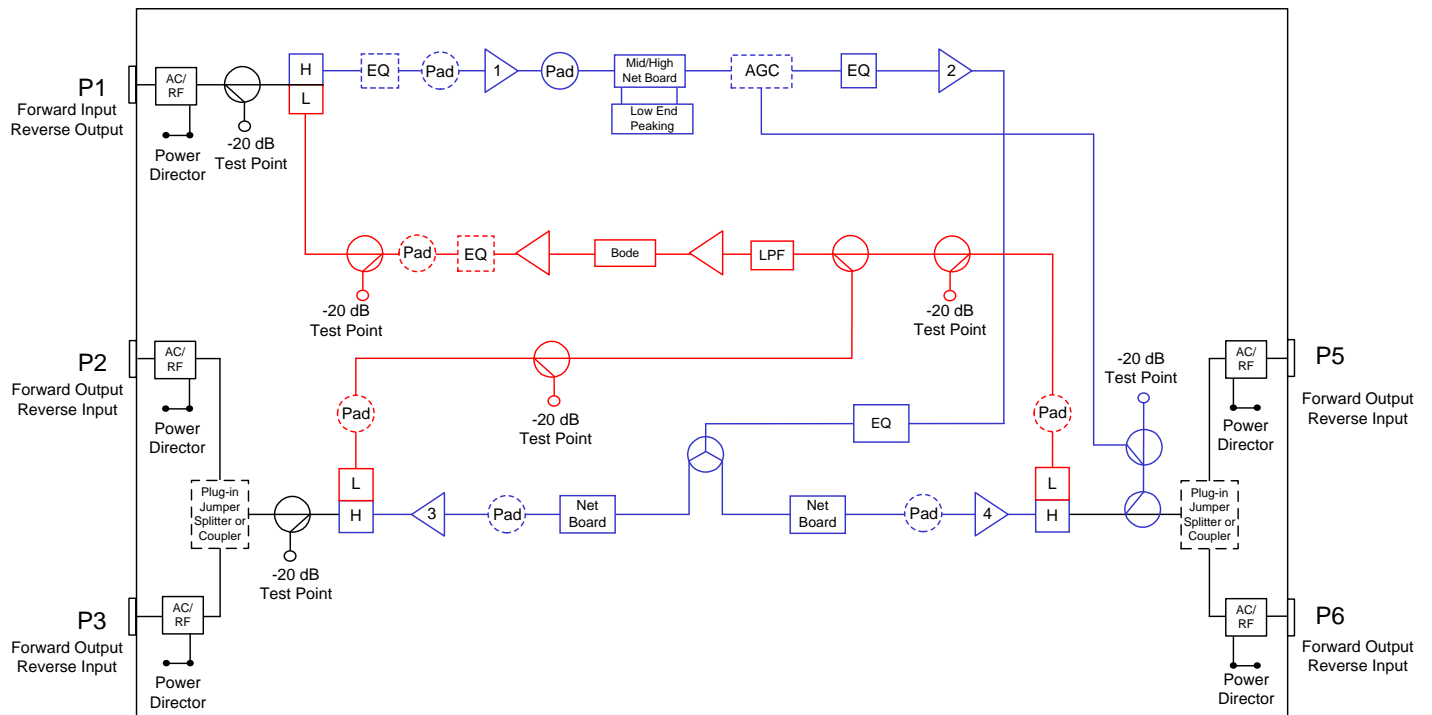
AFM2-T

AFM2-T Trunk 1218 MHz Amplifier Block Diagram



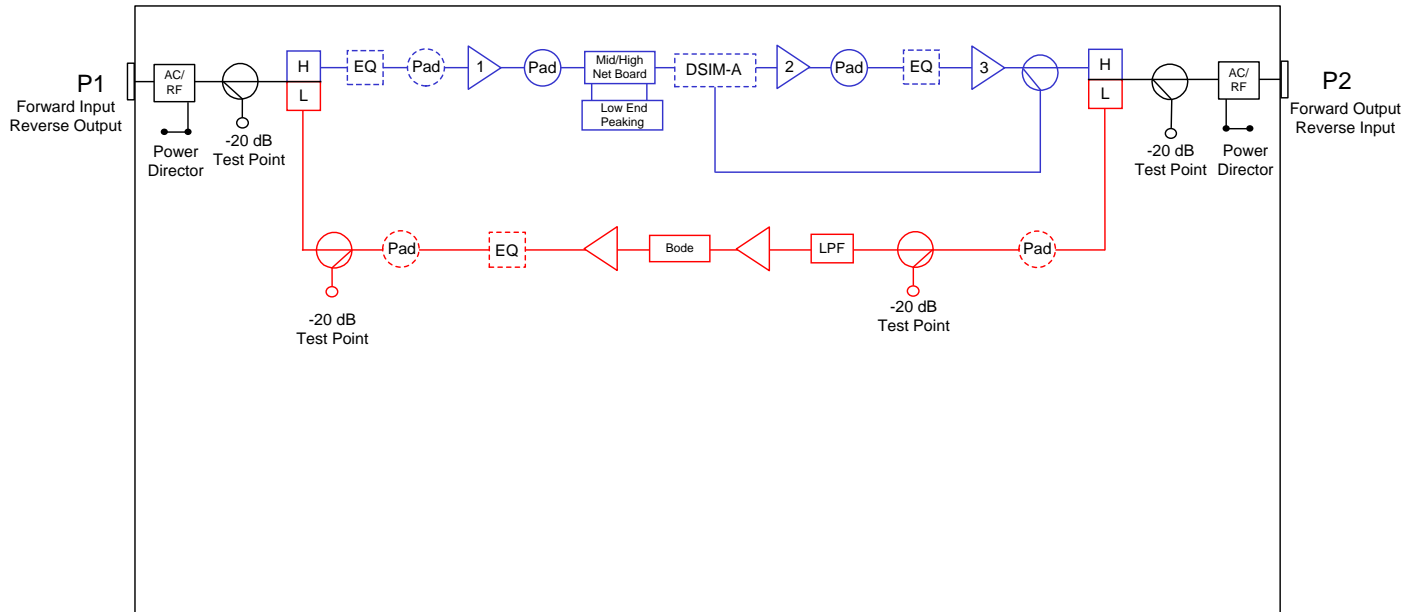
AFM2-B

AFM2-B Bridger 1218 MHz Amplifier Block Diagram



AFM2-L

AFM2-L Line Extender 1218 MHz Amplifier Block Diagram



Station Parameters 42/53 MHz

STATION PARAMETERS: 1218 MHz 42-53 MHz Split			ASEM For C-Cor™ / Arris® RF Modules 1218 MHz				
		CONDITIONS	UNITS	SPECIFICATIONS			Notes
Housing passband			MHz	5 to 1218			
Input current capacity	Any port, worst case		Amps	15			
Hum modulation	Time domain @ rated current above		-dBc	65 @ 5-42 MHz 65 @ 54-1218 MHz			
Return loss	Any port, worst case		dB	16.0			
Test Points							
Frequency range			MHz	5 to 42 (Reverse) / 54 to 1218 (Forward)			
Test point type	Directional coupler		N / A				
Test point level	Forward & reverse		-dB	20.0			
Test point accuracy	Forward & reverse		±dB	0.75			
Station Slope				AFM-T Trunk	AFM-B Bridger	AFM-L LE	
Operational slope (Tilt)	@ 54 / 550 / 1218 MHz		dB	0 / 8.1 / 19.0	0 / 8.1 / 19.0	0 / 8.1 / 19.0	
Slope control type	Cable equalizers		dB	Plug-in Pad Adjustable EQ's			
Slope control range	Includes cable equivalent		dB	-12 to +22			
Slope control steps	Equalizer value steps		dB	1.0			
Station Group Delay							
Group delay	Channel 2 (Std)		nSec / 3.58 MHz	37			
Group delay	Channel 3			16			
Group delay	Channel 4			10			
Group delay	Channel 5 & >			4			
AGC				DSIM-A Single Pilot Channel AGC			
Pilot channel type	Up to 1002 MHz		N / A	NTSC Analog or QAM			
Compensation range			dB	System compensation input change +4.0/-8.0 @ 1218 MHz			
Accuracy			±dB	0.5			
Configuration				AFM-T	AFM-B	AFM-L	
Operational Specifications				Trunk	Bridger	Bridger	LE
Station passband			MHz	54 to 1218			
Station flatness	Normalized w / 0 dB slope		±dB	0.35	0.50	0.50	0.30
Standard operational gain With DSIM AGC	+1.0 / -0 @ 1218 MHz		dB	37.0	47.0	47.0	42.0
Station Referenced Output Levels				AFM-T	AFM-B	AFM-L	
				Main	AUX	Bridger	LE
Output Level @...	1218 MHz		dBmV	47.0	57.0	57.0	57.0
	1002 MHz			43.5	53.5	53.5	53.5
	550 MHz			36.1	46.1	46.1	46.1
	54 MHz			28.0	38.0	38.0	38.0
Reference output slope (Tilt)	54-1218 MHz		dB	19.0	19.0	19.0	19.0
Station Noise Figure				AFM-T	AFM-B	AFM-L	
Noise figure (w / 1 dB for input EQ loss)	Typ. @ 54 to 1002 MHz		dB	9.0	9.0	9.0	
	Typ. @ 1218 MHz		dB	9.5	9.5	10.5	
496 MHz analog channel loading, 79 channels + 660 MHz digital channel loading, 256 QAM at -6 dBc relative to its associated visual carrier							
Station Distortions (Worse Case)				Main	AUX		
Composite Triple Beat (CTB)			-dBc	77	67	67	67
Cross Modulation (XMOD)			-dBc	74	65	65	64
Composite Second Order (CSO-)			-dBc	76	67	67	67
Composite Second Order (CSO+)			-dBc	76	67	67	67
MER			-dBc	≥40		≥40	≥40
BER			-dBc	≤ 1 x 10 ⁻⁹		≤ 1 x 10 ⁻⁹	≤ 1 x 10 ⁻⁹

Station Parameters 85/105 MHz

STATION PARAMETERS: 1218 MHz 85-105 MHz Split			ASEM For C-Cor™ / Arris® RF Modules 1218 MHz				
		CONDITIONS	UNITS	SPECIFICATIONS			Notes
Housing passband			MHz	5 to 1218			
Input current capacity		Any port, worst case	Amps	15			
Hum modulation		Time domain @ rated current above	-dBc	65 @ 5-85 MHz 65 @ 105-1218 MHz			
Return loss		Any port, worst case	dB	16.0			
Test Points							
Frequency range			MHz	5 to 85 (Reverse) / 105 to 1218 (Forward)			
Test point type		Directional coupler	N / A				
Test point level		Forward & reverse	-dB	20.0			
Test point accuracy		Forward & reverse	±dB	0.75			
Station Slope							
Operational slope (Tilt)		@ 105 / 550 / 1218 MHz	dB	AFM-T Trunk	AFM-B Bridger	AFM-L LE	
Slope control type		Cable equalizers	dB	0 / 7.2 / 18.0			
Slope control range		Includes cable equivalent	dB	Plug-in Pad Adjustable EQ's			
Slope control steps		Equalizer value steps	dB	-12 to +22			
			dB	1.0			
Station Group Delay							
Group delay		Channel A-2	nSec / 3.58 MHz	30			
Group delay		Channel A-1		16			
Group delay		Channel 14		10			
Group delay		Channel 15 & up		3			
AGC							
Pilot channel type		Up to 1002 MHz	N / A	DSIM-A Single Pilot Channel AGC			
Compensation range			dB	NTSC Analog or QAM			
Accuracy			±dB	System compensation input change +4.0/-8.0 @ 1218 MHz			
			±dB	0.5			
Configuration							
Operational Specifications				AFM-T Trunk	AFM-B Bridger	AFM-L LE	
Station passband			MHz	105 to 1218			
Station flatness		Normalized w / 0 dB slope	±dB	0.35	0.50	0.50	0.35
Standard operational gain With DSIM AGC		+1.0 / -0 @ 1218 MHz	dB	37.0	47.0	47.0	42.0
							Note1
Station Referenced Output Levels							
				AFM-T Main	AFM-B AUX	AFM-L Bridger	AFM-L LE
Output Level @...			dBmV	47.0	57.0	57.0	57.0
1218 MHz				43.5	53.5	53.5	53.5
1002 MHz				36.2	46.2	46.2	46.2
550 MHz				29.0	39.0	39.0	39.0
105 MHz							Note 2
Reference output slope (Tilt)		105-1218 MHz	dB	18.0	18.0	18.0	18.0
Station Noise Figure							
Noise figure (w / 1 dB for input EQ loss)		Typ. @ 105 to 1002 MHz	dB	9.0			
		Typ. @ 1218 MHz	dB	9.5			
442 MHz analog channel loading, 74 channels + 660 MHz digital channel loading, 256 QAM at -6 dBc relative to its associated visual carrier							
Station Distortions (Worse Case)							
				Main	AUX		
Composite Triple Beat (CTB)			-dBc	77	67	67	67
Cross Modulation (XMOD)			-dBc	74	65	65	64
Composite Second Order (CSO-)			-dBc	76	67	67	67
Composite Second Order (CSO+)			-dBc	76	67	67	67
MER			-dBc	≥40			≥40
BER			-dBc	≤ 1 x 10 ⁻⁹			≤ 1 x 10 ⁻⁹

Station Parameters 204/258 MHz

STATION PARAMETERS: 1218 MHz 204-258 MHz Split			ASEM For C-Cor™ / Arris® RF Modules 1218 MHz				
		CONDITIONS	UNITS	SPECIFICATIONS			Notes
Housing passband			MHz	5 to 1218			
Input current capacity		Any port, worst case	Amps	15			
Hum modulation		Time domain @ rated current above	-dBc	65 @ 5-204 MHz 65 @ 258-1218 MHz			
Return loss		Any port, worst case	dB	16.0			
Test Points							
Frequency range			MHz	5 to 204 (Reverse) / 258 to 1218 (Forward)			
Test point type		Directional coupler	N / A				
Test point level		Forward & reverse	-dB	20.0			
Test point accuracy		Forward & reverse	±dB	0.75			
Station Slope							
Operational slope (Tilt)		@ 258 / 550 / 1218 MHz	dB	AFM-T Trunk	AFM-B Bridger	AFM-L LE	
				0 / 4.7 / 15.5	0 / 4.7 / 15.5	0 / 4.7 / 15.5	
Slope control type		Cable equalizers	dB	Plug-in Pad Adjustable EQ's			
Slope control range		Includes cable equivalent	dB	-12 to +22			
Slope control steps		Equalizer value steps	dB	1.0			
Station Group Delay							
Group delay		Channel 30	nSec / 3.58 MHz	30			
Group delay		Channel 31		16			
Group delay		Channel 32		10			
Group delay		Channel 33 & up		3			
AGC							
Pilot channel type		Up to 1002 MHz	N / A	DSIM-A Single Pilot Channel AGC			
Compensation range			dB	NTSC Analog or QAM			
Accuracy			±dB	System compensation input change +4.0/-8.0 @ 1218 MHz			
				0.5			
Configuration							
				AFM-T	AFM-B	AFM-L	
Operational Specifications				Trunk	Bridger	Bridger	LE
Station passband			MHz	258 to 1218			
Station flatness		Normalized w / 0 dB slope	±dB	0.35	0.50	0.50	0.35
Standard operational gain With DSIM AGC		+1.0 / -0 @ 1218 MHz	dB	37.0	47.0	47.0	42.0
							Note1
Station Referenced Output Levels							
				AFM-T	AFM-B	AFM-L	
				Main	AUX	Bridger	LE
Output Level @...			dBmV	47.0	57.0	57.0	57.0
1218 MHz				43.5	53.5	53.5	53.5
1002 MHz				36.2	46.2	46.2	46.2
550 MHz				31.5	41.5	41.5	41.5
258 MHz							Note 2
Reference output slope (Tilt)		258-1218 MHz	dB	15.5	15.5	15.5	15.5
Station Noise Figure							
				AFM-T	AFM-B	AFM-L	
Noise figure (w / 1 dB for input EQ loss)		Typ. @ 258 to 1002 MHz	dB	9.0	9.0	9.0	
		Typ. @ 1218 MHz	dB	9.5	9.5	10.5	
Station MER/BER Performance							
MER			-dBc	≥40	≥40	≥40	
BER			-dBc	≤ 1 x 10 ⁻⁹	≤ 1 x 10 ⁻⁹	≤ 1 x 10 ⁻⁹	

Reverse Spectrum

REVERSE SPECTRUM:			ASEM For C-Cor™ / Arris® RF Modules 1218 MHz			
REVERSE						
Reverse - General		CONDITIONS	UNITS	SPECIFICATIONS		
Station passband			MHZ	5 to 42, 5 to 85, 5 to 204		
Station flatness - 5 to 42 MHz		Normalized w / 0 dB slope	±dB	0.50		
Station flatness - 5 to 85 MHz		Normalized w / 0 dB slope	±dB	0.50		
Station flatness - 5 to 204 MHz		Normalized w / 0 dB slope	±dB	0.65		
Reverse - Station Gain						
Gain		+1.0 / -0 @ HF	dB	28.0		
Gain control type				JXP Plug-in pads		
Reverse - Station Slope						
Slope control type		Cable equalizers	N / A	Pad Adjustable Eqs		
Slope control range			dB	0 to 15.0		
Slope control steps		Equalizer pad value steps	dB	1.0		
Reverse - Station Group Delay						
Group delay		5 MHz	nSec / 1.5 MHz	45		
Group delay		7 MHz		16		
Group delay		10 MHz		5		
Group delay		35 / 80 / 199 MHz		10		
Group delay		38.5 / 83.5 / 202.5 MHz		25		
Configuration			AFM-T	AFM-B	AFM-L	
Reverse - Station Dynamic Range						
Reference Output Level			dBmV	42.0	42.0	42.0
NPR at 50 dB CNR at 42 MHz		42/53 Split	dB	21.0	21.0	24.0
NPR at 50 dB CNR at 85 MHz		85/105 Split	dB	18.0	18.0	21.0
NPR at 50 dB CNR at 204 MHz		204/258 Split	dB	12.0	12.0	17.0
Reverse - Noise Figure						
Noise figure (W/1 dB for input EQ loss)		5-42 MHz		11.0	11.0	6.0
		5-85 MHz		11.0	11.0	6.0
		5-204 MHz	dB	11.0	11.0	6.5
Power Requirements:						
Max Watts		AFM-T & B W/AFM901E-90VPS (Worst case)	W	52.9	46.8	26.9
AC Voltage						
Input ranges			VAC	45-90		
Current Draw (with DSIM AGC)						
@ 45 VAC		Maximum	A	1.46	1.38	0.75
@ 50 VAC			A	1.36	1.28	0.72
@ 60 VAC			A	1.17	1.09	0.66
@ 70 VAC			A	1.05	0.97	0.62
@ 80 VAC			A	0.95	0.89	0.58
@ 90 VAC			A	0.87	0.80	0.54
Weight			AFM-T	AFM-B	AFM-L	
Weight			lbs. (kg)	5.3 (2.4)	5.3 (2.4)	4.0 (1.8)
Environmental						
Operating temperature			°F (°C)	-40 to +140 (-40 to +60)		

Notes:

1. The AFM2-T & B operational gain – with AGC are based on the amplifier configured with jumper at DC/SP 3 (port 3) and DC/SP 2 (port 6) as a 2 output Bridger.
2. When using the DC/SP plug-ins SDA1.2-SPLT, SDA1.2-DC8, SDA1.2-DC10 and SDA1.2-DC12, levels will derated accordingly based on the accessory specification.

Accessory Ordering Information:

The ordering matrix provides the part number information to order the configured stations. This page contains the ordering information for the required accessories that will be needed to make the stations functional in the field or the optional accessories that can be ordered separately.

Required Accessories

Description	Part Numbers (Where XX.X = dB value)
JXP style attenuator pads <ul style="list-style-type: none"> • 1 Required for forward input • 1 Required for reverse output • 1 Required for forward input Equalizer • 1 Required for reverse output Equalizer 	JXP138-XX (0 to 20 dB in 1.0 dB steps)

Optional Accessories

Description	Part Numbers
Digital Station Intelligence Manager - Single Pilot AGC Module (Analog or Digital)	DSIM-A-MDL-1201
Digital Station Intelligence Manager -Controller	DSCT-xxx-yyy xxx = Pilot Channel Number yyy = Channel Type IRC = Analog IRC Spacing DIG = Digital / QAM
DSIM Bluetooth Dongle Apple iOS or android	DSIM-DONGLE-02
Cable assembly DSIM adaptor to connect controller	240330-01
Pad Adjustable Equalizer JXP Platform 0-22 dB	AEQ1.2G
Pad Adjustable Cable Equivalent Equalizers Low Range 1-8 dB Pad Adjustable Cable Equivalent Equalizers High Range 9-15 dB	ACEQ1.2G ACEQH1.2G
Pad Adjustable Reverse Equalizers 5-42, 85 and 204 MHz JXP Platform 0-12 dB (5 Pin)	AREQPE42 AREQPE85 AREQPE204
Splitter, 1.2GHz	SDA1.2-SPLT
Directional Coupler, 8 dB, 1.2GHz	SDA1.2-DC8
Directional Coupler, 10 dB, 1.2GHz	SDA1.2-DC10
Directional Coupler, 12 dB, 1.2GHz	SDA1.2-DC12
Test Probe (5.5" Long)	100685-01
Test Probe (1.57" / 4 cm Long)	TP-7504
Power Supply Adaptor Cable 9 to 12 Pin Connectors	240336-02
Power Director Fuse	1C4000015G
Power Supply 45-90 VAC for AFM901e	AFM901E-90VPS
C-Cor Compatible FM33X Line Extender Housing	HSG-CCOR-LE
C-Cor Compatible 901e FMT/FMB Housing With 45-90 VAC Power Supply	HSG-CCOR-TB-PS

Frequency Split Field Conversion Kits

Description	Part Numbers
85/105 Conversion Kits	
CONVERSION KIT, AFM-L 1.2G 85/105 18dB	120611-01
CONVERSION KIT, AFM-L 1.2G 85/105 12dB	120659-01
CONVERSION KIT, AFM-B 1.2G 85/105 18dB	120613-01
CONVERSION KIT, AFM-T 1.2G 85/105 18dB	120614-01
204/258 Conversion Kits	
CONVERSION KIT, AFM-L 1.2G 204/258 15.5dB	120615-01
CONVERSION KIT, AFM-L 1.2G 204/258 8.5dB	120658-01
CONVERSION KIT, AFM-B 1.2G 204/258 15.5dB	120617-01
CONVERSION KIT, AFM-T 1.2G 204/258 15.5dB	120618-01

Ordering Matrix

ASEM For C-Cor™/Arris® Product Configuration Worksheet 1218 MHz

Customer: _____

Created By: _____ Order Date: _____

ORDERING MATRIX

May 26, 2023

Position	1	2	3	4	5	6	7	8	9	10	11	12	13
PART NUMBER	A	F	M	2	-								

6 STATION TYPE

T = AFM2-T 1 Trunk / 2 Briger Outputs (User configurable to 4 outputs)

B = AFM2-B 2 Output Bridger (User configurable to up to 4 outputs)

L = AFM2-L 1 Output Line Extender (Compatible with Arris FM331e LE)

7 BANDPASS SPLIT

4 = 5-42 MHz / 54-1218 MHz

2 = 5-204 MHz / 258-1218 MHz

8 = 5-85 MHz / 105-1218 MHz

8,9 STATION GAIN (Forward)

Amplifier Model	AFM2-L	AFM2-B	AFM2-T
Max gain with DSIM	42.0	47.0	37.0

10 FORWARD GAIN CONTROL TYPE

D = Digital Station Intelligence Manger

11 STATION SLOPE

Call Out	Station	42/54	85/105	240/258
A =	AFM2-B or L	19	18	15.5
B =	AFM2-L Only	12	11	8.5
E =	AFM2-T Only	19/19	18/18	15.5/15.5

Note: T/B for Trunk/Bridger Ports

12 STATION GAIN (Reverse)

L = 28 dB min

13 HOUSING OPTIONS

0 = RF Module Only

C = Complete Station With Housing

Generic Order Form: Not all configurations are available



ACI Communications, Inc.
23307 66th Avenue South
Kent, WA 98032

Rev R 02-01-2024 Printed in U.S.A.
ACI Communications, Inc. reserves the right to discontinue the manufacture or change specifications without prior notice on any parts illustrated in this data sheet. ACI and DSIM are registered trademarks and ASEM and ACION are trademarks of ACI. Other trademarks are the property of their respective owners, and ACI is in no way affiliated with these companies.