



ED5229 Series (GP, SR, GR, XG & XR) EDFA for PON or HFC Network Multiple Optical Outputs

The ACI ED5229 series is a high-power multi-ports EDFA optical booster with gain spectrum bandwidth from 1545 to 1563 nm for HFC network. It is designed for the amplification of 1550 nm single channel or multi-channel wavelengths (ITU wavelength) with WDM option for GPON & XGS-PON (OLT) signal overlay. With WDM devices integrated, ED5229 series can combine GPON & XGS-PON OLT (IP) signals of wavelengths 1310 nm (upstream) & 1490 nm (downstream) with 1550 nm signal in the same fiber and as an option, combining XGS-PON OLT (IP) signals of wavelength 1270 nm (upstream) & 1577 nm (downstream) with 1550 nm in the same fiber. A built-in optical receiver is also an option for direct monitoring of the 1550 nm RF signal. An optical switch can also be built in for optical input redundancy protection of the 1550 nm signal. This series of EDFA offers a flexible solution for large area coverage of metropolitan as well as medium-size cities.

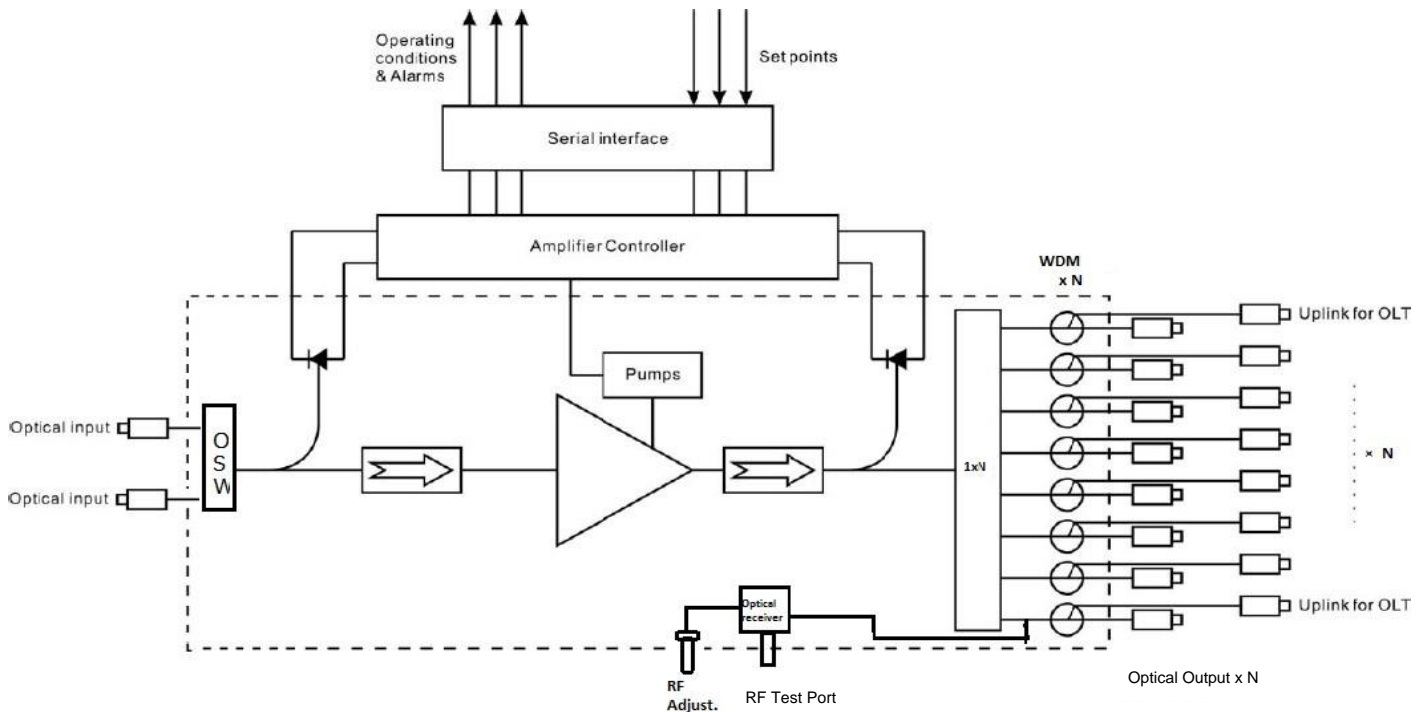
The ED5229 EDFA adopts the world's top class pump lasers and Erbium/Ytterbium-doped special optical fiber for generating high optical output. Perfect APC control, excellent design for ventilation and heat-dissipation ensures the long life and high reliability of the product. The pump laser will switch off automatically if the input optical signal power is missing, which offers safety protection for the laser.

The LCD display and LED indicators on the front panel provide system information, real-time monitoring information and SNMP alarm functions for operating this equipment. A RJ45 interface is also available for controlling the unit from a remote PC by a GUI software. Network management via SNMP protocol is possible using the RJ-45 port on the front panel.

Features

- 1545~1563 nm operating wavelengths range
- 8, 16, 32 or 64 port outputs
- Built-in WDM for GPON signal (ED5229GP & ED5229GR)
- Built-in WDM for XGS-PON signal (ED5229XG & ED5229XR)
- Built-in Optical switch for 1550 nm signal protection (optional)
- Built-in optical receiver for direct monitoring of 1550 nm RF signal (ED5229GR or ED5229SR)
- Low noise, high reliability
- APC control
- Powerful RJ-45 supervisory instruction
- Efficient space, flexible installation, and easy operation
- A high-performance optical output driver circuit and laser TEC to provide a highly reliable EDFA.
- Built-in microprocessor allows the unit to monitor the system parameters.
- The pump laser auto shutdown function is available.
- LED indicator on the front panel shows the alarm status.
- LCD display on the front panel shows the system parameters.
- Support firmware upgrade download.
- Support SNMP for network management (option).
- External 5-volt DC power supply available on back panel

Block Diagrams



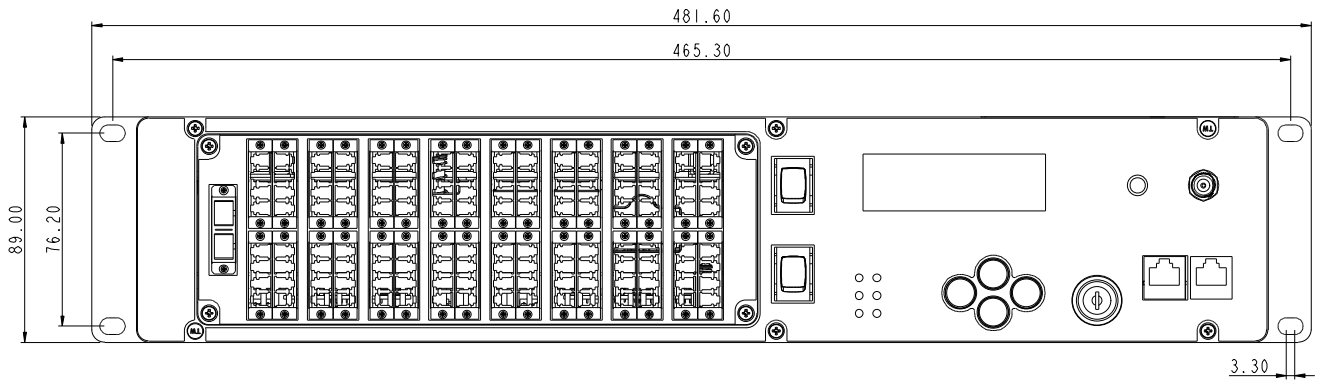
Specifications

ACI				ED5229 Series EDFA for PON or HFC Network (Multiple optical outputs)			
No.	PARAMETERS	CONDITIONS	UNITS	SPECIFICATION			NOTES
0.	Environmental condition			Min.	Typ.	Max.	
0.1	Power Consumption		Watt			130	
0.2	Operation Case Temperature		°C	0		50	
0.3	Operation Humidity		%RH	0		85	Without Condensation
0.4	Storage Case Temperature		°C	-20		70	
0.5	Storage Humidity		%RH	0		85	Without Condensation
1.	Optical Specifications			Min.	Typ.	Max.	
1.1	Optical Wavelength (GPON / XGS-PON)	In vacuum	nm	1270	1310	1350	GP/SR/GR Model
				1480	1490	1505	
				1260	1270	1280	XG/XR Model
				1575	1577	1581	
1.2	Optical Wavelength (CATV)	In vacuum	nm	1545	1550	1563	
1.3	Total Input Power Range	@ $\lambda_{OP}=1550$ nm	dBm	-10		+10	
1.4	Saturated Output Power (per port)	@ $P_{in} \geq -10$ dBm @ $\lambda_{OP}=1550$ nm	dBm	Pout	Pout +0.3	Pout +1	Pout is selected by customer, eg. Pout= 19 dBm
1.5	Output Power After WDM	Adjustable		Pout -0.5	Pout		Pout is selected by customer, eg. Pout= 19 dBm
1.6	Output Power Stability	Over λ_{OP}	dB	-0.5		+1	
1.7	Output Power Uniformity	Among output ports	dB		± 1 dB		
1.8	Noise Figure @ $P_{in}=0$ dBm (1550 nm)	≤ 20 dBm	dB	-		≤ 6.0	Including optical switch & WDM insertion loss 1 dB each
1.9	PDG (Polarization Dependent) Gain	Over λ_{OP}	dB	-	-	0.5	
1.10	PMD (Polarization Mode Dispersion)	Over λ_{OP}	Ps/nm	-	-	0.5	
1.11	Optical Return Loss	All ports, min.	dB	50			
1.12	Input Isolation		dB	25			
1.13	Output Isolation	≤ 17 dBm ≤ 23 dBm	dB	25			
				45			
1.14	Insertion loss (OLT/IP wavelength)	@1310 nm & 1490 nm @1270 nm & 1577 nm	dB			1.0	
1.15	Residual Pump LD Power	970 ~ 980 nm	dBm			-30	
1.16	Control Mode	Auto Power Control			APC		
1.17	Number of output ports	1550 nm+IP		8, 16, 32 or 64			8/16/32/64 ports model
1.18	Number of input ports	1550 nm input		1 or 2			With built-in optical switch for 2 inputs
		IP (OLT) inputs		8, 16, 32 or 64			8/16/32/64 ports model

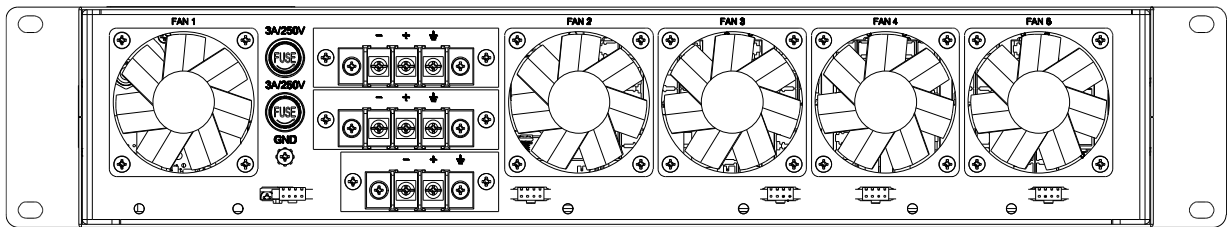
No.	PARAMETERS	CONDITIONS	UNITS	SPECIFICATION			NOTES
2. Mechanical / Power / Interface Specifications							
2.1	Dimension (W x L x H)	19", 2RU Rack mount	In cm	19 x 14.7 x 3.5 (48.16 x 37.34 x 8.89)			8/16/32/64 ports model
2.2	Power Supply	Dual power module/ 1+1 hot standby	Volt	-48 VDC (-30 ~ -72 VDC)			
2.3	Pump Laser Switch			Key Switch			
2.4	LED Indicators			Power, Input, Pump, Alarm			
2.5	User Interface			RJ45 (Ethernet)			
2.6	Fiber Type	Single Mode	mm	9/125			
2.7	Optical Connector	Output ports PON input ports 1550 nm input ports		LC/APC (standard), SC/APC (option) LC/PC (standard), SC/PC (option) SC/APC			With built-in WDM
3. Built-in WDM Specifications				Min.	Typ.	Max.	
3.1	Transmission band	For GPON & XGS-PON signals	nm	1480	1490	1505	Downstream
				1540	1550	1560	
	Reflection band			1575	1577	1581	
				1270	1310	1350	Upstream
				1260	1270	1280	
3.2	Insertion loss:	1550 nm GPON/XGS-PON	dB			0.8 0.6	
3.3	PDL	≤	dB			0.1	
3.4	PMD		ps		0.1		
3.5	Isolation	≥	dB	40			Station ports
3.6	PON signal pass-through when EDFA is turned off	PON Optical signal pass through	nm		1310 1490 1270 1577		
3.7	Maximum power	Max.	dBm			26	
4. Built-in Optical Switch (Optional)							
4.1	Number of inputs	Main (A), secondary (B)			2		
4.2	Insertion loss	≤	dB			1.0	
4.3	Switching time	≤	second			0.5	
4.4	Switching mode:						
4.4.1	Switching to secondary input when main input is below predefined level						
4.4.2	Automatic back to main input when main input is turned on again						
4.3	When both main and secondary inputs are below the threshold, the EDFA selects the higher input						

5. Built-in Optical Receiver (Optional)			
5.1	Built-in optical receiver (For 1550 nm RF test port)	@ output of EDFA for TV signal testing	
5.2	Optical receiver input	-6 to 0 dBm (typical)	
5.3	RF output level	70 dB μ V min., manual adjustable	
5.4	CNR performance	47 dB min.	
6. Configuration and Management			
6.1	Constant output	@ variable optical input: -10 ~ +10 dBm	
6.2	Output adjustable range	(Pout - 3) to Pout dBm	Pout is selected by customer, eg. Pout= 19 dBm
6.3	Configuration method	Through panel buttons and web interface	
6.4	Management method	By Web interface with 10/100Mbps Ethernet port and SNMP	
		Settable threshold of switching,	
		MIB file document available for third party integration	
6.5	Managed information	Input power, output power, power supply status, bias current of pump laser, laser temperature	
		Alarm threshold setting for: input power, output power, bias current of laser, laser temperature	
7. Key parts information			
7.1	Pump laser brand & origin	LUMENTUM (JDSU or Oclaro) or IPG or similar / USA or Russia	
7.2	EDFA manufacturer origin	Taiwan	
7.3	Laser cooling method	Thermoelectric cooler (TEC)	
7.4	EDFA lifetime	\geq 10 years	
8 Others			
8.1	DC power supply output for external load	5 VDC, max 2 AMP, terminal block connection on back panel	Special request only

Front Panel



Back Panel



Ordering Matrix

ACI ED5229 Series Multi-port EDFA Configuration Sheet

Customer: _____

Created By: _____ Order Date: _____

ORDERING MATRIX

March 6, 2023

Position	1	2	3	4	5	6	7	8	9	10	11	12	13	14	15	16	17	18	19
PART NUMBER	E	D	5	2	2	9						—							

7--8 **WDM Option**
 GP: with GPON WDM/without RF monitor
 SR: without WDM/with RF monitor
 GR: with GPON WDM/with RF monitor
 XG: with XGPON WDM/without RF monitor
 XR: with XGPON WDM/with RF monitor

9 **CONTROL INTERFACE**
 0: None (Default)
 1: SNMP (RJ45)
 2: RS232

10~11 **NUMBER OF OUTPUT PORT**
 08: 8 output ports
 16: 16 output ports
 32: 32 output ports
 64: 64 output ports

13~14 **OUTPUT POWER (per port)**
 13 = 13 dBm **Adjustable**
 14 = 14 dBm **(Less 3dBm range)**
 15 = 15 dBm
 16 = 16 dBm
 17 = 17 dBm
 18 = 18 dBm
 19 = 19 dBm

16 / 32 Port Max
 20 = 20 dBm

Other Requirement
 OR = Other Requirements

15 **OPTICAL CONNECTOR (input - output)**
 1: SC/APC - LC/APC
 2: SC/APC - SC/APC

16 **MAIN POWER**
 1: 110/220 VAC (Default)
 2: Dual 110/220 VAC
 3: Dual -48 VDC

17 **POWER CORD SETS**
 0 = None
 1 = North America
 2 = International / Europe
 3 = Japan
 4 = Australia
 5 = Argentina
 6 = DC Wire Set(AWG14) with Lugs type terminal,
 Black Negative(-), Red Positive(+)
 7 = DC power connector (DB2 type) with wire terminal
 Black Negative(-), Red Positive(+)
 8 = DC power connector (DB2 type) with wire terminal
 Red Negative(-), Black Positive(+)
 9 = DC Wire Set(AWG14) with Lugs type terminal,
 Red Negative(-), Black Positive(+)
 X = Custom - (Determined by product management)

18 **PON OLT INPUT CONNECTOR**
 0= No IP input
 1= LC/UPC
 2= LC/APC
 3= SC/UPC
 4= SC/APC

19 **Optical Switch**
 " " (blank) = with optical switch
 0 = without optical switch

NOTES:



ACI Communications, Inc.
 23307 66th Avenue South
 Kent, WA 98032

Rev K 03-06-2023 Printed in U.S.A.
 ACI Communications, Inc. reserves the right to discontinue the manufacture or change specifications without prior notice on any parts illustrated in this data sheet. ACI and DSIM are registered trademarks and ASEM and ACION are trademarks of ACI. Other trademarks are the property of their respective owners, and ACI is in no way affiliated with these companies.