

N5069 Optical Node

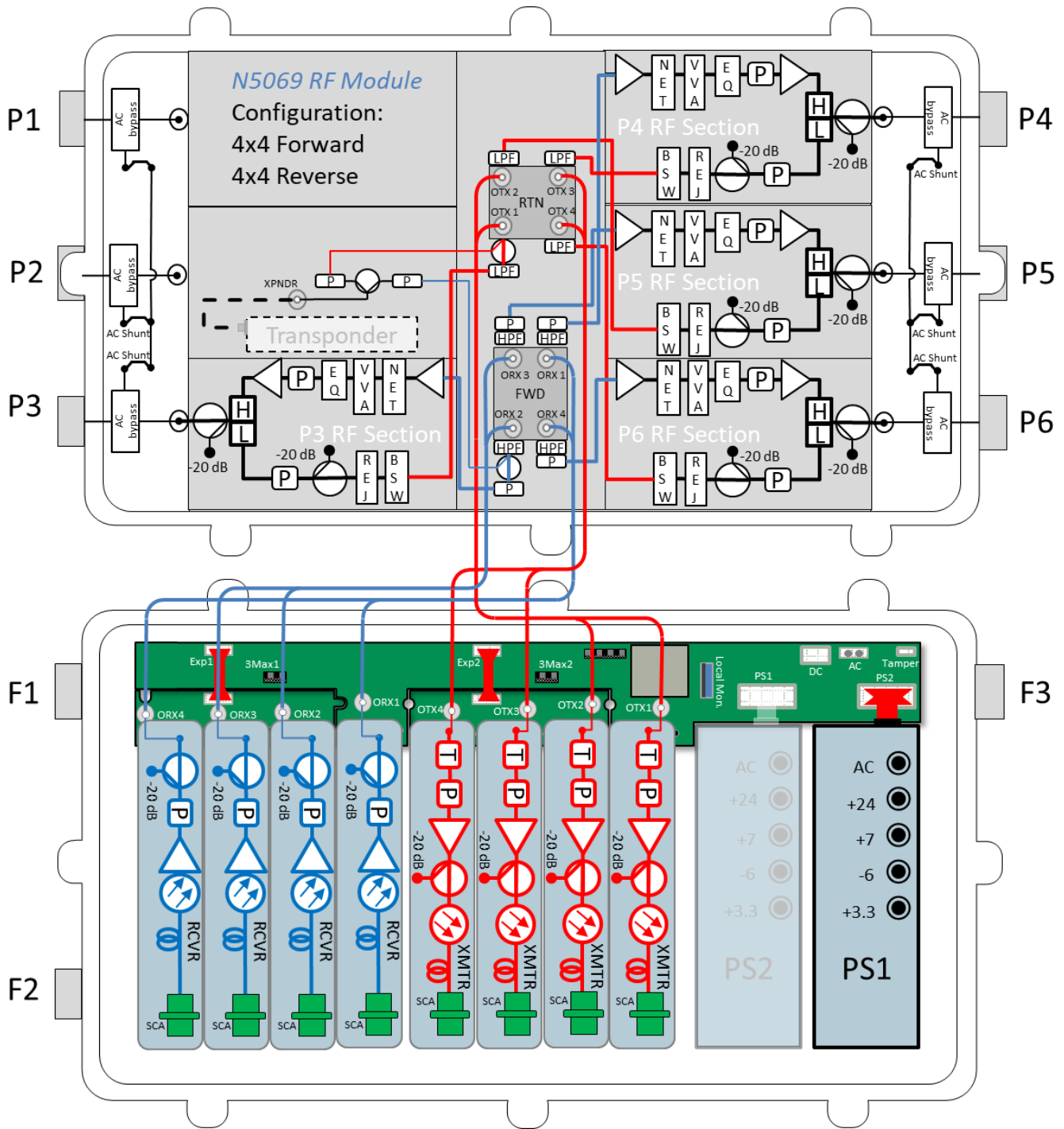
4x4 Fully Segmentable

The N5069 1.2 GHz is a 4-output 4x4 fully segmentable optical node that is capable of providing up to 59.1 dBmV output at 1218 MHz with an optical input range from -8 dBm to +2 dBm. The node can have up to four optical receivers and four optical transmitters. The N5069 is RPhy capable and is compatible with the Harmonic pebble module. The N5069 optical node is compatible with the legacy SA6940 platform so it can be directly dropped into the existing SA6940 footprint to upgrade the HFC network to 1.2GHz bandwidth without re-splicing the cable. If the existing housing must be replaced the port configuration is the same as the legacy SA6940.

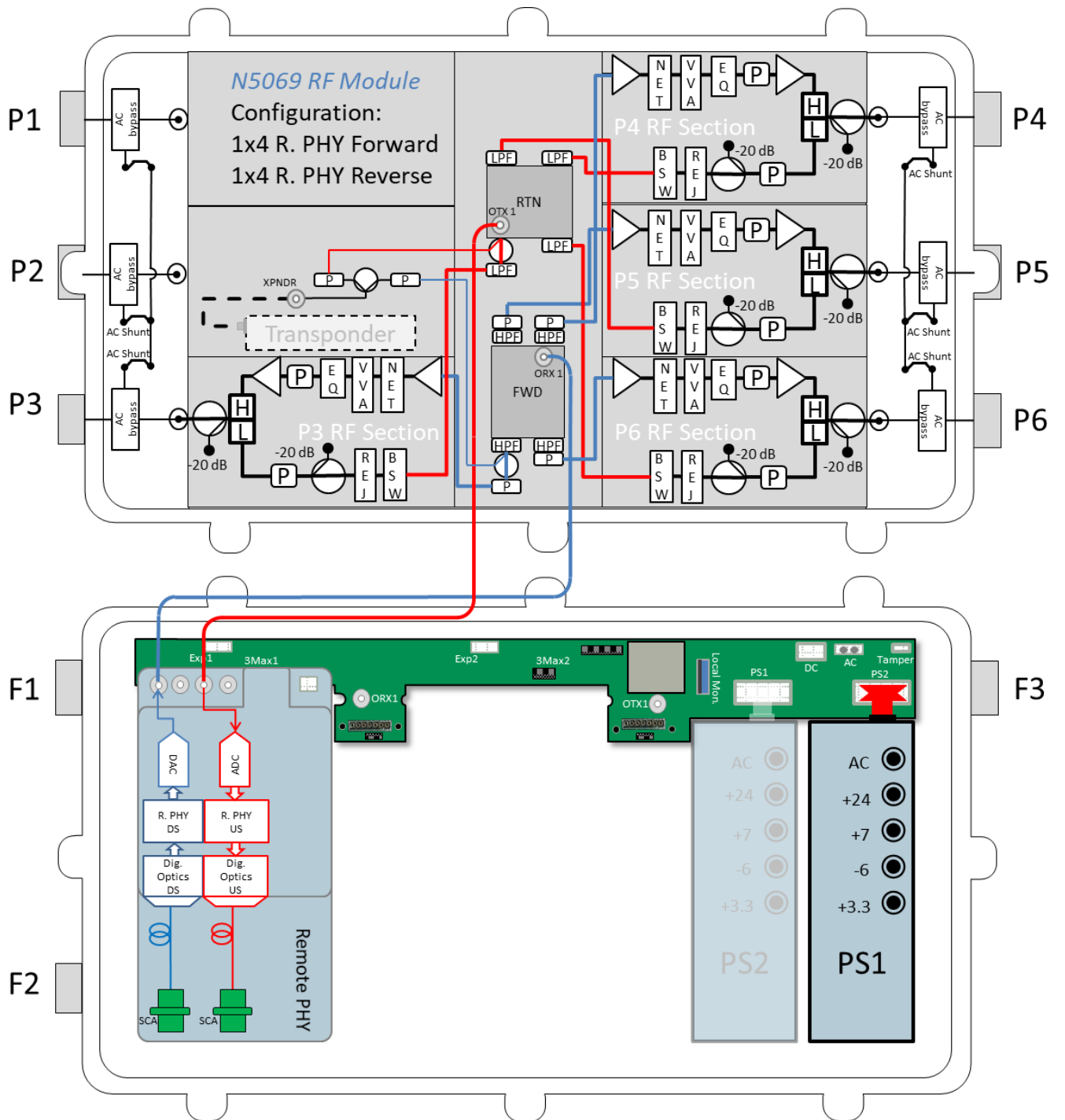
Features

- ◆ Four driven output ports
- ◆ Compact size for a 4x4 segmentable node (8.44" H x 20.22" W x 10.73" D)
- ◆ -20.0 dB directional coupler test points
- ◆ Built-in bridger switching for managing the reverse path @ 0, -3.0, -6.0, and -26.0 dB (open) with active status monitoring (optional)
- ◆ Standard push on "F" connectors can be used on all test points
- ◆ DFB, CWDM, & DWDM transmitters available
- ◆ Remote PHY module is available for digital fiber link (option)
- ◆ Plug-in forward and reverse configuration modules allows for easy field reconfiguration to add or remove segmentation as needed
- ◆ 85% efficient 40/90 VAC switch-mode power supply with built-in Triac surge protection

Block Diagrams



N5069 Block Diagram (4x4 Segmented Optical Node 1218 MHz)
Analog Transmitters



N5069 Block Diagram (1x4 Optical Node 1218 MHz)
 Remote PHY Module

Specifications 42/53

N5069 4-Output (Forward and Reverse Segmentable Optical Node 1218 MHz)						
Parameter	Conditions	Units	Min	Typ.	Max	Notes
Downstream Station (including FWD Configure Board unless otherwise noted), Port 3, Port 4, Port 5, Port 6						
Downstream Passband	42/53 Split	MHz	54	-	1218	
Input Current Capacity	15	A	-	-	15	
Hum Modulation	5 to 1218 MHz	dBc	65	-	-	Time Doman @ 15A
RF Input Level	Analog Level into FWD Configure Board Input	dBmV/ch	26	-	-	
Gain (Ref @ 1218MHz)	With 1x4 FWD Config Board (Config Bd IL: -10dB)	dB	32	33	34	±1dB stability over Node's Operating Temperature Range
	With 2x2 FWD Config Board (Config Bd IL: -10dB)	dB				
	With 4x4 FWD Config Board (Config Bd IL: -10dB)	dB				
Port to Port Isolation	54 to 1218 MHz	dB	-	-	-50	Note 3
Response Flatness	with FWD Configure Board	dB	-1	-	1	
Output Return Loss	54 to 1218MHz	dB	-	-	-16	Note 5
RF Test Point Level	-	dB	-20.5	-20	-19.5	Note 6
RF Output Level	54/105/550/750/870/1002/1218 MHz	dBmV	38/39/47/50.6/52.7/55.1/59			Analog Reference, Note 4
			32/33/41/44.6/46.7/49.1/53			Digital level, Note 4
Operational Slope	54/105/550/750/870/1002/1218 MHz	dB	0/1/9/12.6/14.7/17.1/21			
Slope Tolerance	-	dB	±1			
Slope Range	Min Slope = 10dB	dB	11	-	-	
CCN	21dB Slope	dB	54	56	-	Note 1a
CSO	30ch Analog (55.25-253.25MHz) + SCQAM (261-1215MHz) Digital is -6dB from Analog	dBc	-	-65	-61	
CTB		dBc	-	-70	-68	
XMOD	59dBmV Po @ Fc=1215MHz (analog ref level)	dBc	-	-	-64	
MER	All Digital, 21dB Slope, 160ch SCQAM (75-1215MHz)	dB	40	-	-	Note 1b
BER		-	-	-	10 ⁻⁹	
Spurious	-	dBc	-	-	-70	
RF-Tray NF @ +21dB Slope	54/550/1002/1218MHz	dB	12			Without FWD Configure Board
Station NF @ +21dB Slope	54/550/1002/1218MHz	dB	19/19/18.5/18			Note 3
Upstream Station (including the RTN Configure Board unless otherwise noted), Port 3, Port 4, Port 5, Port 6						
Upstream Passband	42/53 Split	MHz	5	-	42	
Port to Port Isolation	5 to 42 MHz	dB	-	-	-50	Note 3
Response Flatness	5 to 42 MHz	dB	-0.75	-	0.75	
Insertion Loss	Without the RTN configure board, REF @ 25MHz With Rejection Filter jumper, LPF and -1dB RF atten	dB	-	-	-8.5	
Station Gain	RF Tray + All options of the RTN configure board REF @ 25MHz	dB	6	-	dB	±1dB stability over Node's Operating Temperature Range
Station Tilt	-	dB	-1	0	0.5	
Input Return Loss	5 to 42MHz	dB	-	-	-16	Note 5
RF Test Point Level	5 to 42 MHz	dB	-20.5	-20	-19.5	Note 6
Bridge SW Attenuation Range	BSW Default Setting Stages: 0dB, -3dB, -6dB and Open	dB	12	-	-	±0.5dB Atten Accuracy
RF Input Level	-	dBmV/ch	17	-	-	
Station Output to OTx	With all options of the RTN configure board	dBmV/ch	-	23	-	
RF-Tray NF	Meas @ 25MHz	dB	-	7.5	8.5	Without RTN Configure Board
Station NF	Option: 4x1/4x4/2x2	dB	23/22/19			Note 3
CSO	6ch Loading for 5-42MHz: 7, 13, 19, 25, 31, 37MHz	dBc	-	-	-75	Note 2
CTB		dBc	-	-	-80	
XMOD		dBc	-	-	-80	
MER		dB	40	-	-	
BER		-	-	-	10 ⁻⁹	
Peak NPR	5-42MHz	dB	57	-	-	
Dynamic Range	@ NPR40dB	dB	30	-	-	

Parameter	Conditions	Units	Min	Typ.	Max	Notes
Optical Section: Forward Receiver Module						
Optical Wavelength	-	MHz	1260	-	1620	
Optical Input Range	Optical AGC	dBm	2	-	-4	
Optical Return Loss	SC/APC	dB	40	-	-	
Responsivity	1310 nm	mA/mW	0.8	-	-	
	1550 nm		0.95	-	-	
RF Bandwidth	-	MHz	54	-	1218	
Frequency Response	-	dB	-0.5	-	0.5	
Tilt	Reference from 54MHz	dB	0	-	1	
Optical Input DC Testpoint	1310 nm	V/mW	0.9	1	1.1	
	1550 nm		1	1.1	1.21	
RF Output Test Point Level	-	dB	-20.5	-20	-19.5	
RF Output Level at 2 to -4dBm	Analog Reference	dBmV/ch	26	-	-	@ 3.4% OMI/ch
Optical Input Level	Digital	dBmV/ch	20	-	-	
MER	All Digital 42/54 Split, 21±1dB Slope	dB	40	-	-	Note 1b, 7
BER	160ch SCQAM (75-1215MHz)	-	-	-	10 ⁻⁹	
Optical Section: Analog Return Transmitter Module						
Optical Wavelength	$\lambda_c \pm 20\text{nm}$, ITU-T, DFB	nm	1271	-	1611	
Optical Output Power	±1dB Stability Over the Node's Operating Temperature Range	mW	2	-	10	See Ordering Matrix for Opt Power Model
Optical Return Loss	SC/APC	dB	40	-	-	
Optical DC Testpoint	-	V/mW	0.9	-	1.1	
RF Bandwidth	-	MHz	5	-	210	
Frequency Response	-	dB	-0.75	-	0.75	
Tilt	Reference from 54MHz	dB	-0.5	-	1	
Laser Input Testpoint Level	-	dB	-20.5	-20	-19.5	
RF Input Level	Upstream RF Level from RF-Tray Into OTx	dBmV/ch	21	22	23	
CNR	6ch Loading, 5-42MHz: 7, 13, 19, 25, 31, 37MHz	dB	50	-	-	Note 8
CSO		dBc	-	-	-55	
CTB		dBc	-	-	-60	
XMOD		dBc	-	-	-60	
MER	6ch Loading for 5-42MHz: 7, 13, 19, 25, 31, 37MHz	dB	40	-	-	Note 2, 8
BER		-	-	-	10 ⁻⁹	
NPR	5 - 42MHz Noise Loading, Test with QRR/DRR300	dB	40/16	-	-	Note 8
Optical Section: Digital Return Transmitter Module						
Optical Wavelength	1310	nm	1290	1310	1330	
	ITU-T CWDM		1271	-	1611	
	ITU-T, DWDM, 100GHz Spacing		1577	-	1528.8	
Optical Output Power	1310	dBm	-5	-	1	
	CWDM		0	-	3	
	DWDM		2	-	7	
Optical Return Loss	SC/APC	dB	40	-	-	
RF Bandwidth	-	MHz	5	-	42	
Frequency Response	Test with QDR/DDR	dB	-0.75	-	0.75	
RF Input Testpoint Level	-	dB	-20.5	-20	-19.5	
RF Input Level	Upstream RF Level from RF-Tray Into OTx	dBmV/ch	16	22	28	
MER	6ch Loading for 5-42MHz: 7, 13, 19, 25, 31, 37MHz	dB	38	-	-	Note 2, 9
BER		-	-	-	10 ⁻⁹	
NPR		5-42MHz Noise Loading, Test with QDR/DDR	dB	40/18	-	

Notes:

- (1a) Factory Digital Loading for testing: 256QAM (261 to 999MHz) + 1x192MHz OFDM, Source MER ≥ 43dB, MER/BER test frequencies: 261, 555, 747, 831, 999MHz
- (1b) Factory Digital Loading for testing: 256QAM (57 to 999MHz) + 1x192MHz OFDM, Source MER ≥ 43dB, MER/BER test frequencies: 57, 261, 555, 747, 831, 999MHz
- (2) 64QAM, Source MER ≥ 43dB
- (3) RF-Tray with Configure Board
- (4) ± 1dB accuracy
- (5) Production Return Loss test limit is -16.5dB
- (6) Production TP level test limit is -20 ± 0.5dB
- (7) Downstream Link: Optical Link + RF-Tray. Po @ Fc=1215MHz = 53±1dBmV (Digital Level), Test with STD FT3UD-1310 or EMTx, 20km of fiber, Rx optical power = 0dBm
- (8) Upstream Link: RF-Tray + Optical Link. -10dBm rec'd optical power, QRR/DRR300 RF atten 10dB (RF output = 30 to 35dBmV/ch)
- (9) Upstream Link: RF-Tray + Optical Link. QDR/DDR output = 30 to 42dBmV/ch. Fiber Length: 40km for 1310nm, 80km for CWDM, 100km for DWDM

Specifications 85/105

N5069 4-Output (Forward and Reverse Segmentable Optical Node 1218 MHz)						
Parameter	Conditions	Units	Min	Typ.	Max	Notes
Downstream Station (including FWD Configure Board unless otherwise noted), Port 1, Port 3, Port 4, Port 6						
Downstream Passband	85/105 Split	MHz	105	-	1218	
Input Current Capacity	15	A	-	-	15	
Hum Modulation	5 to 1218 MHz	dBc	65	-	-	Time Doman @ 15A
RF Input Level	Analog Level into FWD Configure Board Input	dBmV/ch	26	-	-	
Gain (Ref @ 1218MHz)	With 1x4 FWD Config Board (Config Bd IL: -10dB)	dB	32	33	34	±1dB stability over Node's Operating Temperature Range
	With 2x2 FWD Config Board (Config Bd IL: -10dB)	dB				
	With 4x4 FWD Config Board (Config Bd IL: -10dB)	dB				
Port to Port Isolation	105 to 1218 MHz	dB	-	-	-50	Note 3
Response Flatness	With FWD Configure Board	dB	-1	-	1	
Output Return Loss	105 to 1218MHz	dB	-	-	-16	Note 5
RF Test Point Level	-	dB	-20.5	-20	-19.5	Note 6
RF Output Level	105/550/750/870/1002/1218 MHz	dBmV	39/47/50.6/52.7/55.1/59			Analog Reference, Note 4
			33/41/44.6/46.7/49.1/53			Digital level, Note 4
Operational Slope	105/550/750/870/1002/1218 MHz	dB	0/8/11.6/13.7/16.1/20			
Slope Tolerance	-	dB	±1			
Slope Range	Min Slope = 10dB	dB	11	-	-	
CCN	20dB Slope	dB	54	56	-	Note 1a
CSO	25ch Analog (109.25-253.25MHz) + SCQAM (261-1215MHz)	dBc	-	-65	-61	
CTB	Digital is -6dB from Analog	dBc	-	-70	-68	
XMOD	59dBmV Po @ 1218MHz (analog ref level)	dBc	-	-	-64	
MER	All Digital, 20dB Slope	dB	40	-	-	Note 1b
BER	160ch SCQAM (105 to 1215MHz)	-	-	-	10 ⁻⁹	
Spurious	-	dBc	-	-	-70	
RF-Tray NF @ +20dB Slope	@ 85/550/1002/1218MHz	dB	12			Without FWD Configure Board
Station NF @ +20dB Slope	@ 85/550/1002/1218MHz	dB	19/19/18.5/18			Note 3
Upstream Station (including the RTN Configure Board unless otherwise noted), Port 3, Port 4, Port 5, Port 6						
Upstream Passband	85/105 Split	MHz	5	-	85	
Port to Port Isolation	5 to 85 MHz	dB	-	-	-50	Note 3
Response Flatness	5 to 85 MHz	dB	-0.75	-	0.75	
Insertion Loss	Without the RTN configure board, REF @ 25MHz With Rejection Filter jumper, LPF and -1dB RF atten	dB	-	-	-8.5	
Station Gain	RF Tray + All options of the RTN configure board REF @ 25MHz	dB	6	-	dB	±1dB stability over Node's Operating Temperature Range
Station Tilt	-	dB	-1	0	0.5	
Input Return Loss	5 to 85 MHz	dB	-	-	-16	Note 5
RF Test Point Level	5 to 85 MHz	dB	-20.5	-20	-19.5	Note 6
Bridge SW Attenuation Range	BSW Default Setting Stages: 0dB, -3dB, -6dB and Open	dB	12	-	-	±0.5dB Atten Accuracy
RF Input Level	-	dBmV/ch	17	-	-	
Station Output to OTx	With all options of the RTN configure board	dBmV/ch	-	23	-	
RF-Tray NF	Meas @ 25MHz	dB	-	7.5	8.5	Without RTN Configure Board
Station NF	Option: 4x1/4x4/2x2	dB	23/22/19			Note 3
CSO	8ch Loading for 5-85MHz: 7, 19, 31, 43, 55.25, 67.25, 77.25, 83.25 MHz	dBc	-	-	-75	
CTB		dBc	-	-	-80	
XMOD		dBc	-	-	-80	
MER	8ch Loading for 5-85MHz: 7, 19, 31, 43, 51, 63, 79, 85 MHz	dB	40	-	-	Note 2
BER		-	-	-	10 ⁻⁹	
Peak NPR	5-85MHz	dB	57	-	-	
Dynamic Range	@ NPR40dB	dB	30	-	-	

Parameter	Conditions	Units	Min	Typ.	Max	Notes
Optical Section: Forward Receiver Module						
Optical Wavelength	-	MHz	1260	-	1620	
Optical Input Range	Optical AGC	dBm	2	-	-4	
Optical Return Loss	SC/APC	dB	40	-	-	
Responsivity	1310 nm	mA/mW	0.8	-	-	
	1550 nm		0.95	-	-	
RF Bandwidth	-	MHz	54	-	1218	
Frequency Response	-	dB	-0.5	-	0.5	
Tilt	Reference from 105MHz	dB	0	-	1	
Optical Input DC Testpoint	1310 nm	V/mW	0.9	1	1.1	
	1550 nm		1	1.1	1.21	
RF Output Test Point Level	-	dB	-20.5	-20	-19.5	
RF Output Level at 2 to -4dBm	Analog Reference	dBmV/ch	26	-	-	@ 3.4% OMI/ch
Optical Input Level	Digital	dBmV/ch	20	-	-	
MER	All Digital 85/105 Split, 20 ±1dB Slope 160ch SCQAM (105 to 1215MHz)	dB	40	-	-	Note 1b, 7
BER		-	-	-	10 ⁻⁹	
Optical Section: Analog Return Transmitter Module						
Optical Wavelength	$\lambda_c \pm 20\text{nm}$, ITU-T, DFB	nm	1271	-	1611	
Optical Output Power	±1dB Stability Over the Node's Operating Temperature Range	mW	2	-	10	See Ordering Matrix for Opt Power Model
Optical Return Loss	SC/APC	dB	40	-	-	
Optical DC Testpoint	-	V/mW	0.9	-	1.1	
RF Bandwidth	-	MHz	5	-	210	
Frequency Response	-	dB	-0.75	-	0.75	
Tilt	Reference from 105MHz	dB	-0.5	-	1	
Laser Input Testpoint Level	-	dB	-20.5	-20	-19.5	
RF Input Level	Upstream RF Level from RF-Tray Into OTx	dBmV/ch	21	22	23	
CNR	8ch Loading, 5-85MHz: 7, 19, 31, 43, 55.25, 67.25, 77.25, 83.25MHz	dB	50	-	-	Note 8
CSO		dBc	-	-	-55	
CTB		dBc	-	-	-60	
XMOD		dBc	-	-	-60	
MER	8ch Loading for 5-85MHz: 7, 19, 31, 43, 51, 63, 79, 85MHz	dB	40	-	-	Note 2, 8
BER		-	-	-	10 ⁻⁹	
NPR	5 - 85MHz Noise Loading, Test with QRR/DRR300	dB	40/11	-	-	Note 8
Optical Section: Digital Return Transmitter Module						
Optical Wavelength	1310	nm	1290	1310	1330	
	ITU-T CWDM		1271	-	1611	
	ITU-T, DWDM, 100GHz Spacing		1577	-	1528.8	
Optical Output Power	1310	dBm	-5	-	1	
	CWDM		0	-	3	
	DWDM		2	-	7	
Optical Return Loss	SC/APC	dB	40	-	-	
RF Bandwidth	-	MHz	5	-	85	
Frequency Response	Test with QDR/DDR	dB	-0.75	-	0.75	
RF Input Testpoint Level	-	dB	-20.5	-20	-19.5	
RF Input Level	Upstream RF Level from RF-Tray Into OTx	dBmV/ch	16	22	28	
MER	8ch Loading for 5-85MHz: 7, 19, 31, 43, 51, 63, 79, 85MHz	dB	38	-	-	Note 2, 9
BER		-	-	-	10 ⁻⁹	
NPR	5 - 85MHz Noise Loading, Test with QDR/DDR	dB	40/18	-	-	Note 9

Notes:

- (1a) Factory Digital Loading for testing: 256QAM (261 to 999MHz) + 1x192MHz OFDM, Source MER ≥ 43dB, MER/BER Test Frequencies: 261, 555, 747, 831, 999MHz
- (1b) Factory Digital Loading for testing: 256QAM (105 to 999MHz) + 1x192MHz OFDM, Source MER ≥ 43dB, MER/BER Test Frequencies: 105, 261, 555, 747, 831, 999MHz
- (2) 64QAM, Source MER ≥ 43dB
- (3) RF-Tray with Configure Board
- (4) ±1dB accuracy
- (5) Production Return Loss test limit is -16.5dB
- (6) Production TP level test limit is -20 ± 0.5dB
- (7) Downstream Link: Optical Link + RF-Tray. Po @ 1218MHz = 53 ± 1dBmV (Digital Level), Test with STD FT3UD-1310 or EMTx. 20km of fiber, Rx optical power = 0dBm
- (8) Upstream Link: RF-Tray + Optical Link. -10dBm rec'd optical power, QRR/DRR300 RF atten 10dB (RF output = 30 to 35dBmV/ch)
- (9) Upstream Link: RF-Tray + Optical Link. QDR/DDR output = 30 to 42dBmV/ch. Fiber Length: 40km for 1310nm, 80km for CWDM, 100km for DWDM

Specifications 204/258

N5069 4-Output (Forward and Reverse Segmentable Optical Node 1218 MHz)						
Parameter	Conditions	Units	Min	Typ.	Max	Notes
Downstream Station (including FWD Configure Board unless otherwise noted), Port 3, Port 4, Port 5, Port 6						
Downstream Passband	204/258 Split	MHz	258	-	1218	
Input Current Capacity	15	A	-	-	15	
Hum Modulation	5 to 1218 MHz	dBc	65	-	-	Time Domain @ 15A
RF Input Level	Analog Level into FWD Configure Board Input	dBmV/ch	26	-	-	
Gain (Ref @ 1218MHz)	With 1x4 FWD Config Board (Config Bd IL: -10dB)	dB	32	33	34	±1dB stability over Node's Operating Temperature Range
	With 2x2 FWD Config Board (Config Bd IL: -10dB)	dB				
	With 4x4 FWD Config Board (Config Bd IL: -10dB)	dB				
Port to Port Isolation	258 to 1218 MHz	dB	-	-	-50	Note 3
Response Flatness	With FWD Configure Board	dB	-1	-	1	
Output Return Loss	258 to 1218 MHz	dB	-	-	-16	Note 5
RF Test Point Level	-	dB	-20.6	-20	-19.4	Note 6
RF Output Level	258/550/750/870/1002/1218 MHz	dBmV	41.7/47/50.6/52.7/55.1/59			Analog Reference, Note 4
			35.7/41/44.6/46.7/49.1/53			Digital level, Note 4
Operational Slope	258/550/750/870/1002/1218 MHz	dB	0/4/7.2/8.9/10.9/14			
Slope Tolerance	-	dB	±1			
Slope Range	Min Slope = 10dB	dB	11	-	-	
MER	All Digital, 14dB Slope	dB	40	-	-	Note 1, 2, 7
BER	131ch SCQAM (258 to 1215 MHz)	-	-	-	10 ⁻⁹	
Spurious	-	dBc	-	-	-70	
RF-Tray NF @ +20dB Slope	@ 258/550/1002/1218 MHz	dB	12			Without FWD Configure Board
Station NF @ +20dB Slope	@ 258/550/1002/1218 MHz	dB	19/19/18.5/18			Note 3
Upstream Station (including the RTN Configure Board unless otherwise noted), Port 3, Port 4, Port 5, Port 6						
Upstream Passband	204/258 Split	MHz	5	-	204	
Port to Port Isolation	5 to 204 MHz	dB	-	-	-50	Note 3
Response Flatness	5 to 204 MHz	dB	-0.75	-	0.75	
Insertion Loss	Without the RTN configure board, REF @ 25MHz With Rejection Filter jumper, LPF and -1dB RF atten	dB	-	-	-8.5	
Station Gain	RF Tray + All options of the RTN configure board REF @ 25MHz	dB	6	-	dB	±1dB stability over Node's Operating Temperature Range
Station Tilt	-	dB	-1	0	0.5	
Input Return Loss	5 to 204 MHz	dB	-	-	-16	Note 5
RF Test Point Level	5 to 204 MHz	dB	-20.6	-20	-19.4	Note 6
Bridge SW Attenuation Range	BSW Default Setting Stages: 0dB, -3dB, -6dB and Open	dB	12	-	-	±0.5dB Atten Accuracy
RF Input Level	-	dBmV/ch	17	-	-	
Station Output to OTx	With all options of the RTN configure board	dBmV/ch	-	23	-	
RF-Tray NF	Meas @ 25MHz	dB	-	7.5	8.5	Without RTN Configure Board
Station NF	Option: 4x1/4x4/2x2	dB	23/22/19			Note 3
CSO	8ch Loading for 5-85MHz: 7, 19, 31, 43, 55.25, 67.25, 77.25, 83.25 MHz	dBc	-	-	-75	
CTB		dBc	-	-	-80	
XMOD		dBc	-	-	-80	
MER	31ch SCQAM Loading (7 to 201 MHz)	dB	40	-	-	Note 2
BER		-	-	-	10 ⁻⁹	
Peak NPR	5-204 MHz	dB	45	-	-	
Dynamic Range	@ NPR40dB	dB	25	-	-	

Parameter	Conditions	Units	Min	Typ.	Max	Notes
Optical Section: Forward Receiver Module						
Optical Wavelength	-	MHz	1260	-	1620	
Optical Input Range	Optical AGC	dBm	2	-	-4	
Optical Return Loss	SC/APC	dB	40	-	-	
Responsivity	1310 nm	mA/mW	0.8	-	-	
	1550 nm		0.95	-	-	
RF Bandwidth	-	MHz	54	-	1218	
Frequency Response	-	dB	-0.5	-	0.5	
Tilt	Reference from 258 MHz	dB	0	-	1	
Optical Input DC Testpoint	1310 nm	V/mW	0.9	1	1.1	
	1550 nm		1	1.1	1.21	
RF Output Test Point Level	-	dB	-20.5	-20	-19.5	
RF Output Level at 2 to -4dBm	Analog Reference	dBmV/ch	26	-	-	@ 3.4% OMI/ch
Optical Input Level	Digital	dBmV/ch	20	-	-	
MER	All Digital 204/258 Split, 14 ±1dB Slope 131ch SCQAM (258 to 1215 MHz)	dB	40	-	-	Note 1, 2, 7
BER		-	-	-	10 ⁻⁹	
Optical Section: Analog Return Transmitter Module						
Optical Wavelength	$\lambda_c \pm 20\text{nm}$, ITU-T, DFB	nm	1271	-	1611	
Optical Output Power	±1dB Stability Over the Node's Operating Temperature Range	mW	2	-	10	See Ordering Matrix for Opt Power Model
Optical Return Loss	SC/APC	dB	40	-	-	
Optical DC Testpoint	-	V/mW	0.9	-	1.1	
RF Bandwidth	-	MHz	5	-	210	
Frequency Response	-	dB	-0.75	-	0.75	
Tilt	5 to 204 MHz	dB	-0.5	-	1	
Laser Input Testpoint Level	-	dB	-20.5	-20	-19.5	
RF Input Level	Upstream RF Level from RF-Tray Into OTx	dBmV/ch	21	22	23	
CNR	8ch Loading, 5-85MHz: 7, 19, 31, 43, 55.25, 67.25, 77.25, 83.25MHz	dB	50	-	-	Note 8
CSO		dBc	-	-	-55	
CTB		dBc	-	-	-60	
XMOD		dBc	-	-	-60	
MER	31ch SCQAM Loading (7 to 201 MHz)	dB	40	-	-	Note 2, 8
BER		-	-	-	10 ⁻⁹	
NPR	5 - 204 MHz Noise Loading, Test with QRR/DRR300	dB	40/10	-	-	Note 8
Optical Section: Digital Return Transmitter Module						
Optical Wavelength	1310	nm	1290	1310	1330	
	ITU-T CWDM		1271	-	1611	
	ITU-T, DWDM, 100GHz Spacing		1577	-	1528.8	
Optical Output Power	1310	dBm	-5	-	1	
	CWDM		0	-	3	
	DWDM		2	-	7	
Optical Return Loss	SC/APC	dB	40	-	-	
RF Bandwidth	-	MHz	5	-	204	
Frequency Response	Test with QDR/DDR	dB	-0.75	-	0.75	
RF Input Testpoint Level	-	dB	-20.5	-20	-19.5	
RF Input Level	Upstream RF Level from RF-Tray Into OTx	dBmV/ch	16	22	28	
MER	31ch SCQAM Loading (7 to 201 MHz)	dB	38	-	-	Note 2, 9
BER		-	-	-	10 ⁻⁹	
NPR	5 - 204 MHz Noise Loading, Test with QDR/DDR	dB	40/16	-	-	Note 9

Notes:

- Factory Digital Loading for testing: 256QAM (261 to 999MHz) + 1x192MHz OFDM, Source MER ≥ 43dB, MER/BER Test Frequencies: 261, 555, 747, 831, 999MHz
- 64QAM. Source MER ≥ 43dB. Measured MER is Source corrected as defined in ANSI/SCTE 96 2020. Max correction is 4.3dB.
- RF-Tray with Configure Board
- ±1dB accuracy
- Production Return Loss test limit is -16.5dB
- Production TP level test limit is -20 ± 0.5dB
- Downstream Link: Optical Link + RF-Tray. Po @ 1218MHz = 53 ± 1dBmV (Digital Level), Test with STD FT3UD-1310 or EMTx. 20km of fiber, Rx optical power = 0dBm
- Upstream Link: RF-Tray + Optical Link. -10dBm rec'd optical power, QRR/DRR300 RF atten 10dB (RF output = 30 to 35dBmV/ch)
- Upstream Link: RF-Tray + Optical Link. QDR/DDR output = 30 to 42dBmV/ch. Fiber Length: 40km for 1310nm, 80km for CWDM, 100km for DWDM

Receiver, Transmitter and Spare Parts

RECEIVER AND TRANSMITTERS	
XXX = Optical Connector Type (FC/UPC, FC/APC SC/APC & SC/UPC)	
Part Number	Description
090816-01XXX	Receiver, N50 MIMIC 1218 MHz
090817-01XXX	Transmitter N50 DFB Uncooled, Isolated 1310 nm 1.0 mW
090817-02XXX	Transmitter N50 DFB Uncooled, Isolated 1310 nm 2.0 mW
090817-03XXX	Transmitter N50 DFB Uncooled, Isolated 1310 nm 3.0 mW
090818-02XXX	Transmitter N50 DFB Uncooled, Isolated 1550 nm 2.0 mW
090818-04XXX	Transmitter N50 DFB Uncooled, Isolated 1550 nm 4.0 mW
090819-01XXX	Transmitter N50 DFB CWDM Uncooled, Isolated 1471 nm 2.0 mW
090819-02XXX	Transmitter N50 DFB CWDM Uncooled, Isolated 1491 nm 2.0 mW
090819-03XXX	Transmitter N50 DFB CWDM Uncooled, Isolated 1511 nm 2.0 mW
090819-04XXX	Transmitter N50 DFB CWDM Uncooled, Isolated 1531 nm 2.0 mW
090819-05XXX	Transmitter N50 DFB CWDM Uncooled, Isolated 1551 nm 2.0 mW
090819-06XXX	Transmitter N50 DFB CWDM Uncooled, Isolated 1571 nm 2.0 mW
090819-07XXX	Transmitter N50 DFB CWDM Uncooled, Isolated 1591 nm 2.0 mW
090819-08XXX	Transmitter N50 DFB CWDM Uncooled, Isolated 1611 nm 2.0 mW
090820-01XXX	Transmitter N50 DFB CWDM Uncooled, Isolated 1471 nm 3.0 mW
090820-02XXX	Transmitter N50 DFB CWDM Uncooled, Isolated 1491 nm 3.0 mW
090820-03XXX	Transmitter N50 DFB CWDM Uncooled, Isolated 1511 nm 3.0 mW
090820-04XXX	Transmitter N50 DFB CWDM Uncooled, Isolated 1531 nm 3.0 mW
090820-05XXX	Transmitter N50 DFB CWDM Uncooled, Isolated 1551 nm 3.0 mW
090820-06XXX	Transmitter N50 DFB CWDM Uncooled, Isolated 1571 nm 3.0 mW
090820-07XXX	Transmitter N50 DFB CWDM Uncooled, Isolated 1591 nm 3.0 mW
090820-08XXX	Transmitter N50 DFB CWDM Uncooled, Isolated 1611 nm 3.0 mW
090824-XXXXX	Transmitter N50, DWDM ITU CHXX XXXX.XX nm 10.0 mW
FORWARD AND RETURN CONFIG MODULES	
090850-01	Return Config Module 1x4 42MHz
090851-01	Return Config Module 2x2 42MHz
090852-01	Return Config Module 4x4 42MHz
090850-02	Return Config Module 1x4 85MHz
090851-02	Return Config Module 2x2 85MHz
090852-02	Return Config Module 4x4 85MHz
090850-03	Return Config Module 1x4 204MHz
090851-03	Return Config Module 2x2 204MHz
090852-03	Return Config Module 4x4 204MHz
090853-01	Forward Config Module 1x4 42MHz
090854-01	Forward Config Module 2x2 42MHz
090855-01	Forward Config Module 4x4 42MHz
090853-02	Forward Config Module 1x4 85MHz
090854-02	Forward Config Module 2x2 85MHz
090855-02	Forward Config Module 4x4 85MHz
090853-03	Forward Config Module 1x4 204MHz
090854-03	Forward Config Module 2x2 204MHz
090855-03	Forward Config Module 4x4 204MHz
POWER SUPPLY	
N50-90VPS	N50 40-90 VAC Power Supply
REMOTE PHY Mounting Plate Kit	
120631-01	KIT, N50 Remote PHY Plate Installation Kit
AC ENTRY KITS	
120634-01	AC Entry Right Installation Kit
120635-01	AC Entry Left Installation Kit

Part Number Ordering Matrix

N5069 4x4 Optical Node Configuration Sheet

Customer: _____

Created By: _____ Order Date: _____

ORDERING MATRIX

February 17, 2023

Position	1	2	3	4	5	6	7	8	9	10	11	12	13	14	15	16	17	18
PART NUMBER	5	S																

3

BASE CONFIGURATION

A = FWD 1x4 REV 4X1 Nonsegmented
1 Transmitter installed
1 Receiver installed

C = FWD 2X2 REV 2X2 Forward & Return segmented
2 Transmitters installed
2 Receivers installed

G = FWD 4X4 REV 4X4 Forward & Return segmented
4 Transmitters installed
4 Receivers installed

L = FWD 1X4 REV 4X1 Nonsegmented (See Note 2)
1 Remote PHY 1x1 module installed (1 DS + 1US) capable

M = FWD 2X2 REV 2X2 Forward & Return Segmented (See Notes 1 & 2)
2 Remote PHY 1x1 modules installed (2 DS + 2 US) capable

N = FWD 2X2 REV4X4 Forward & Return Segmented (See Notes 1 & 2)
2 Remote PHY(1x2) modules installed (2 DS + 4 US) capable

P = FWD 1X4 REV 2X2 Forward Nonsegmented & Return Segmented (See Note 2)
1 Remote PHY(1x2) module installed (1 DS + 2 US) capable

R = FWD 2X2 REV 2X2 Forward & Return segmented Digital RPD (See Note 2)
with FWD analog RF overlay
1 Remote PHY 1x2 module installed (1 DS + 2 US) & 1 Receiver installed capable

4

DIPLEX FREQUENCY SPLIT & OPTICAL CONNECTOR TYPE

SC/APC	SC/UPC	FC/APC	FC/UPC
4 = 42/53	A = 42/53	E = 42/53	J = 42/53
5 = 55/70	B = 55/70	F = 55/70	K = 55/70
6 = 65/85	C = 65/85	G = 65/85	L = 65/85
8 = 85/105	D = 85/105	H = 85/105	M = 85/105
2 = 204/258	P = 204/258	R = 204/258	T = 204/258

5 & 6	<input type="checkbox"/>	TRANSMITTER 1 - Primary 4X1, or Ports 3 & 4 for 2X2, Port 3 for 4X1
7 & 8	<input type="checkbox"/>	TRANSMITTER 2 - Secondary 4X1 or Ports 5 & 6 for 2X2 or Port 5 for 4X1
9 & 10	<input type="checkbox"/>	TRANSMITTER 3 - Secondary Ports 3 & 4 for 2X2 or Port 4 for 4X1
11 & 12	<input type="checkbox"/>	TRANSMITTER 4 - Secondary Ports 5 & 6 for 2X2 or Port 6 for 4X1
		00 = NO TRANSMITTERS INSTALLED

REMOTE PHY MODULE ENTER "RP" FOR POSITIONS 5&6, 9&10
 REMOTE PHY MODULE CONFIGURATIONS:
 FILL IN POSITION 7&8 FOR RPD#1, 11&12 FOR RPD#2

ANALOG TRANSMITTER OPTIONS:

TYPE FP & DFB

- 00 = None
- D0 = Uncooled 1310 nm 1.0 mW FP
- H0 = Uncooled 1310 nm 2.0 mW FP W/SOLATOR
- J0 = Uncooled 1310 nm 1.0 mW DFB
- R0 = Uncooled 1310 nm 2.0 mW DFB
- B0 = Uncooled 1310 nm 3.0 mW DFB
- C0 = Uncooled 1550 nm 2.0 mW DFB
- Z0 = Uncooled 1550 nm 4.0 mW DFB

TYPE DFB CWDM 2.0 mW

- A2 = Uncooled 1471 nm DFB CWDM (2.0 mW)
- G2 = Uncooled 1491 nm DFB CWDM (2.0 mW)
- V2 = Uncooled 1511 nm DFB CWDM (2.0 mW)
- L2 = Uncooled 1531 nm DFB CWDM (2.0 mW)
- W2 = Uncooled 1551 nm DFB CWDM (2.0 mW)
- M2 = Uncooled 1571 nm DFB CWDM (2.0 mW)
- N2 = Uncooled 1591 nm DFB CWDM (2.0 mW)
- T2 = Uncooled 1611 nm DFB CWDM (2.0 mW)

TYPE DFB CWDM 3.0 mW

- A3 = Uncooled 1471 nm DFB CWDM (3.0 mW)
- G3 = Uncooled 1491 nm DFB CWDM (3.0 mW)
- W3 = Uncooled 1551 nm DFB CWDM (3.0 mW)
- N3 = Uncooled 1591 nm DFB CWDM (3.0 mW)
- T3 = Uncooled 1611 nm DFB CWDM (3.0 mW)

TYPE DFB CWDM 4.0, 5.0 & 6.0 mW

- W4 = Uncooled 1551 nm DFB CWDM (4.0 mW)
- W5 = Uncooled 1551 nm DFB CWDM (5.0 mW)
- N5 = Uncooled 1591 nm DFB CWDM (5.0 mW)
- T5 = Uncooled 1611 nm DFB CWDM (5.0 mW)
- A6 = Uncooled 1471 nm DFB CWDM (6.0 mW)
- G6 = Uncooled 1491 nm DFB CWDM (6.0 mW)

TYPE DWDM: ITU Grid: C-Band, 100 GHz Spacing (10.0 mW)

- 19 = Channel 19 - 1562.23nm
- 20 = Channel 20 - 1561.42nm
- 21 = Channel 21 - 1560.61nm
- 22 = Channel 22 - 1559.79nm
- 23 = Channel 23 - 1558.98nm
- 24 = Channel 24 - 1558.17nm
- 25 = Channel 25 - 1557.36nm
- 26 = Channel 26 - 1556.56nm
- 27 = Channel 27 - 1555.75nm
- 28 = Channel 28 - 1554.94nm
- 29 = Channel 29 - 1554.13nm
- 30 = Channel 30 - 1553.33nm
- 31 = Channel 31 - 1552.52nm
- 32 = Channel 32 - 1551.72nm
- 33 = Channel 33 - 1550.92nm
- 34 = Channel 34 - 1550.12nm
- 35 = Channel 35 - 1549.32nm
- 36 = Channel 36 - 1548.52nm
- 37 = Channel 37 - 1547.72nm
- 38 = Channel 38 - 1546.92nm
- 39 = Channel 39 - 1546.12nm
- 40 = Channel 40 - 1545.32nm
- 41 = Channel 41 - 1544.53nm
- 42 = Channel 42 - 1543.73nm
- 43 = Channel 43 - 1542.94nm
- 44 = Channel 44 - 1542.14nm
- 45 = Channel 45 - 1541.35nm
- 46 = Channel 46 - 1540.56nm
- 47 = Channel 47 - 1539.77nm
- 48 = Channel 48 - 1538.98nm
- 49 = Channel 49 - 1538.19nm
- 50 = Channel 50 - 1537.40nm
- 51 = Channel 51 - 1536.61nm
- 52 = Channel 52 - 1535.82nm
- 53 = Channel 53 - 1535.04nm
- 54 = Channel 54 - 1534.25nm
- 55 = Channel 55 - 1533.47nm
- 56 = Channel 56 - 1532.68nm
- 57 = Channel 57 - 1531.90nm
- 58 = Channel 58 - 1531.12nm
- 59 = Channel 59 - 1530.33nm
- 60 = Channel 60 - 1529.55nm
- 61 = Channel 61 - 1528.77nm
- 62 = Channel 62 - 1527.99nm
- 63 = Channel 63 - 1527.22nm
- 64 = Channel 64 - 1526.44nm

TYPE REMOTE PHY MODULE CONFIGURATIONS (See Notes 1 & 2)

- 00= No Remote PHY Module
- MP= Remote PHY Module Mounting Plate Installed
- 11= 1 Down Stream + 1 Up Stream (1x1 module) Base options L, M or Q
- 12= 1 Down Stream + 2 Up Stream (1x2 module) Base option N, P or R

Mux/DeMux Module for CWDM, DWDM or WDM

(For a 1X2 Mux or WDM use position 13)

MUX A - Use for 2X2, or ports 3 & 5 for 4X4

MUX B Ports 4 & 6 for 4X4 or 2X2, 2+2, With Optics Redundancy

- 0 = None
- A = FWD path 1291, 1293; REV path 1471, 1491 nm & common
- B = FWD path 1290, 1295; REV path 1591, 1611 nm & common
- C = FWD Path 1310, 1431; REV path 1451, 1551 nm & common
- P = DWDM 1291/CWDM 1471 nm
- W = WDM 1310/1550 nm

Future = λ_1 λ_2 λ_3 λ_4

SLOPE

MHz	550	750	870	1002	1218
E=	8.3	12.2	14.5	17.0	21.0
T=	6.3	10.2	12.5	15.0	19.0

HOUSING OPTIONS & POWER SUPPLY QUANTITY (See Note 1)

- P = Complete Node - 1 Power Supply
- K = Upgrade kit - 1 Power Supply
- E = Complete Node - 2 Power Supplies
- F = Upgrade kit - 2 Power Supplies

STATUS MONITORING

- 0 = None
- D = DOCSIS HMS Transponder

CUSTOM

- 0 = None
- X = Determined by Product Management

NOTES:

1. For Configurations with 2 Remote PHY modules 2 power supplies are required.
2. For Configurations with remote PHY modules a 10GBASE SFP + single mode fiber optic transceiver submodule is needed for each RPD to establish the digital fiber link with the headend CCAP core.
3. Example: 5NC4A2G2000A0EP00
2X2 Forward & Reverse segmented node, 2 Receivers, TX1: CWDM 1471nm 2mW, TX2: CWDM 1491nm 2mW, 1 Mux/Demux module DWDM1291/1293/CWDM 1471/1491nm 1.2GHz/Slope 21dB, complete node with single power supply.

Power Consumption

Node Option	With Xponder	W/O Xponder
	Watts	Watts
4x4 Analog OTx & ORx	148	143
2x2 Analog OTx & ORx	127	122
1x4 Analog OTx & ORx	117	112
Dual RPD Node	154	154
Single RPD Node	128	128



ACI Communications, Inc.
23307 66th Avenue South
Kent, WA 98032

Rev J 02-17-2023 Printed in U.S.A.

ACI Communications, Inc. reserves the right to discontinue the manufacture or change specifications without prior notice on any parts illustrated in this data sheet. ACI and DSIM are registered trademarks and ASEM and ACION are trademarks of ACI. Other trademarks are the property of their respective owners, and ACI is in no way affiliated with these companies.