



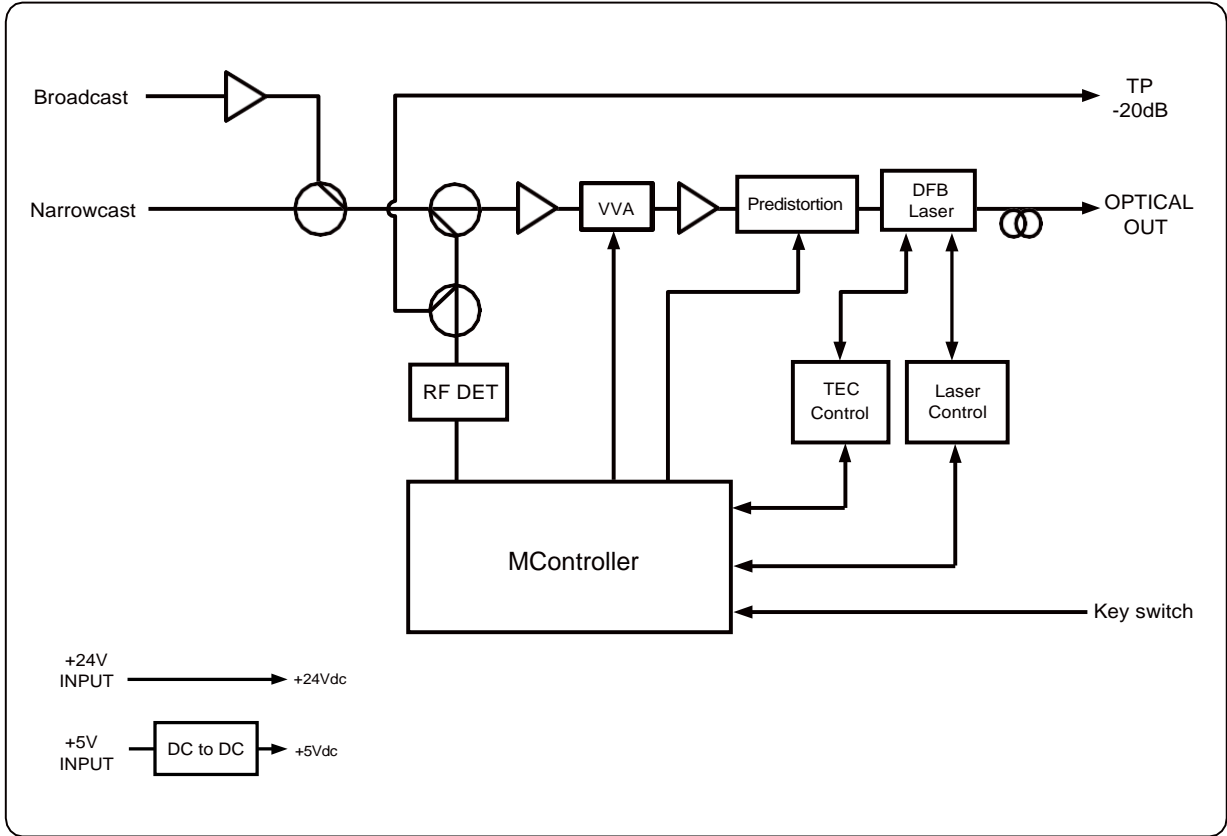
ACION™ 8000 Series A8KFT3U-1310nm (1.2GHz) Forward Optical Transmitter

The ACION 8000 A8KFT3U-1310nm is a 1.2GHz forward optical transmitter (Tx) for HFC or FTTH applications. This compact and cost-effective Tx module is a 3RU height and up to 12 Tx modules can be integrated in the 19-inch high-density chassis (A8KMF3). The transmitter's adjustable OMI level and user define AGC setting features make it very versatile in field applications with a wide range of RF input loading. The transmitter's RF path employs several stages of RF amplification that includes single ended low noise high linear amplifiers and low noise push-pull amplifiers.

Features

- ◆ Transmission bandwidth up to 1.2GHz
- ◆ Cooled DFB laser diode with isolator
- ◆ 1310 nm optical wavelength
- ◆ AGC/MGC selection
- ◆ OMI level adjustments
- ◆ User define AGC setting
- ◆ Hot – swappable
- ◆ Remote control and monitor functions via HMS or SNMP
- ◆ -20dB RF front-panel test point

Block Diagram



Specifications

ACI		ACION 8000 Series A8KFT3U-1310nm 1.2 GHz Forward Optical Transmitter		
PARAMETERS	CONDITIONS	UNITS	SPECIFICATION	NOTES
Optical Specification				
Laser Type			Cooled DFB LD with isolator	
Optical Wavelength		nm	1310 ± 10	
Connector Type			SC/APC (standard) FC/APC, E2000/APC (optional)	
Optical Power		dBm	Standard: 3, 6, 10, 13 Optional: 4, 5, 7, 8, 9, 11, 12, 14, 15	
RF Parameters				
Operating Bandwidth		MHz	50 to 1218	
Channel Loading	NTSC + Digital	channel	79ch Analog+47ch 256QAM+2x192MHz OFDM	
	All Digital		256ch 256 QAM + 2x192MHz OFDM	
RF Input Return Loss	75 ohm	dB	-16	
Broadcast RF Input Level	Analog	dBmV/ch	15	
	Digital		9	
Narrowcast RF Input Level	Digital only	dBmV/ch	15	(1)
AGC Range	AGC Mode	dBmv	15	
MGG Gain Control Range	MGC Mode	dB	0 to 15	
Flatness (Peak-to-Valley)	50 to 1218MHz	dB	± 0.6	
Test Point	50 to 1218MHz	dB	-20 ± 0.5	(2)
Port-to-Port Isolation (Narrowcast to Broadcast)		dB	50	
Distortion Performance				
79ch analog + 47ch 256 QAM + 2x192MHz OFDM (digital channels are -6dB from analog)				
Composite Second Order (CSO)	Max.	dBc	-65	(3)
Composite Triple Beat (CTB)	Max.	dBc	-70	
Cross-Modulation		dBc	-65	
Modulation Error Rate (MER)		dB	≥ 38	
Bit Error Rate (BER)	Pre-FEC		≤ 10 ⁻⁸	
All digital loading (125ch 256 QAM + 2x192MHz OFDM)				
Modulation Error Rate (MER)		dB	≥ 36	
Bit Error Rate (BER)	Pre-FEC		≤ 10 ⁻⁸	

Specifications

ACI		ACION 8000 Series A8KFT3U-1310nm 1.2 GHz Forward Optical Transmitter		
PARAMETERS	CONDITIONS	UNITS	SPECIFICATION	NOTES
Electrical/Environmental/Mechanical				
RF Connector Type	Rear Panel		F type female	
Module Width		slot	1	
Dimensions	DxHxW	in. (mm)	16.1 x 5.0 x 1.0 (410.0 x 127.0 x 25.9)	
Weight		lbs. (kg)	1.65 (0.75)	
Operating Temperature		°F (°C)	32 to 122 (0 to 50)	
Storage Temperature		°F (°C)	-40 to 149 (-40 to 65)	
Relative Humidity	Non-condensing	%	0 ~ 95	
Power Consumption	Max.	W	7.5	

Notes:

- (1) Digital channel is -6dB from analog after combined with Broadcast Input
- (2) Relative from the Broadcast Input
- (3) 79ch analog + 47ch 256 QAM + 2x192MHz OFDM, 3.2% OMI, digital channels are -6dB from analog, Rx optical power = 0dBm

Carrier-to-Noise

Model #	Output Power	Total Optical Link Loss (dB)																
		1	2	3	4	5	6	7	8	9	10	11	12	13	14	15	16	17
A8KFT3U-1310-03-xx	3-4 dBm	53.5	52.5	51.5	50.5	49.5												
A8KFT3U-1310-04-xx	4-5 dBm		53.5	52.5	51.5	50.5	49.5											
A8KFT3U-1310-05-xx	5-6 dBm			53.5	52.5	51.5	50.5	49.5										
A8KFT3U-1310-06-xx	6-7 dBm				53.5	52.5	51.5	50.5	49.5									
A8KFT3U-1310-07-xx	7-8 dBm					53.5	52.5	51.5	50.5	49.5								
A8KFT3U-1310-08-xx	8-9 dBm						53.5	52.5	51.5	50.5	49.5							
A8KFT3U-1310-09-xx	9-10 dBm							53.5	52.5	51.5	50.5	49.5						
A8KFT3U-1310-10-xx	10-11 dBm								53.0	52.0	51.0	50.0	49.0					
A8KFT3U-1310-11-xx	11-12 dBm									53.0	52.0	51.0	50.0	49.0				
A8KFT3U-1310-12-xx	12-13 dBm										53.0	52.0	51.0	50.0	49.0			
A8KFT3U-1310-13-xx	13-14 dBm											53.0	52.0	51.0	50.0	49.0		
A8KFT3U-1310-14-xx	14-15 dBm												53.0	52.0	51.0	50.0	49.0	
A8KFT3U-1310-15-xx	15-16 dBm													52.0	51.0	50.0	49.0	48.0

Note: CNR numbers are based on 79ch analog + 45ch 256 QAM + 2x192MHz OFDM, 3.2% OMI, digital channels are 6dB from analog, Rx optical power = 0dB

Ordering Matrix

A8KFT3U 1310nm Configuration Sheet

Customer: _____

Created By: _____

ORDERING MATRIX

2017/6/30

Position		1	2	3	4	5
PART NUMBER	A8KFT3U-1310	—		—		

1-2. Output Power

0	3	= 3 dBm (Standard)
0	4	= 4 dBm
0	5	= 5 dBm
0	6	= 6 dBm (Standard)
0	7	= 7 dBm
0	8	= 8 dBm
0	9	= 9 dBm
1	0	= 10 dBm (Standard)
1	1	= 11 dBm
1	2	= 12 dBm
1	3	= 13 dBm (Standard)
1	4	= 14 dBm
1	5	= 15 dBm (Actual output please choose in position #5)

3-4. Connector

S	A	= SC/APC with shutter (Standard)
F	A	= FC/APC
E	A	= E2000/APC

5. Special / Customer

Blank = None Special request

A = 5.4% OMI/CH

B = Actual output 14.8 dBm minimum (For 15 dBm model only)

C = Actual output 15.0 dBm minimum (For 15 dBm model only)

NOTES:



ACI Communications, Inc.
23307 66th Avenue South
Kent, WA 98032

Rev C 02-10-2021 Printed in U.S.A.
ACI Communications, Inc. reserves the right to discontinue the manufacture or change specifications without prior notice on any parts illustrated in this data sheet. ACI and DSIM are registered trademarks and ASEM and ACION are trademarks of ACI. Other trademarks are the property of their respective owners, and ACI is in no way affiliated with these companies.