



LEA1 1002 MHz

One or Two Output Line Extender Amplifiers (JXP Platform)

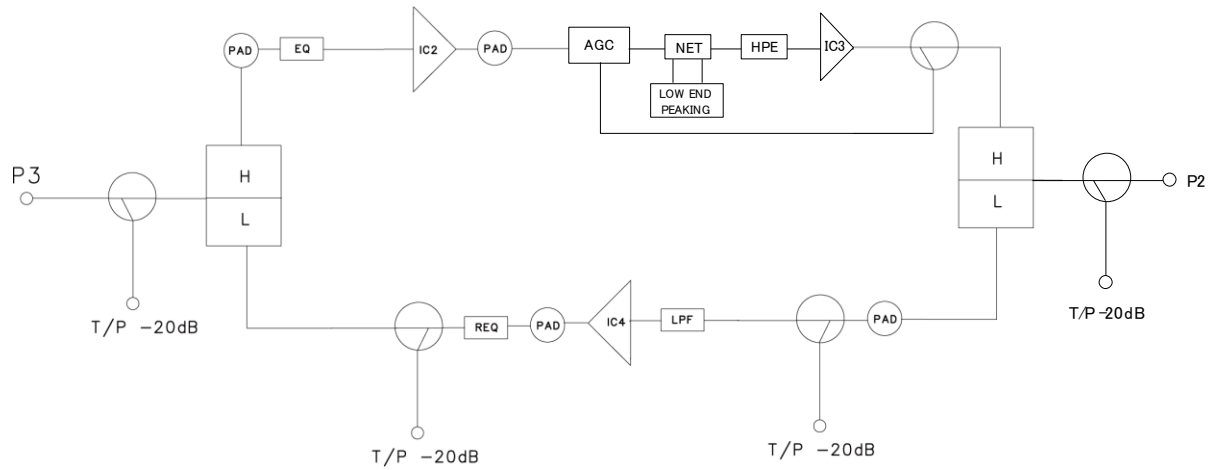
The LEA1 has a compact size, easy installation and is a cost-effective line extender amplifier. This amplifier provides high quality RF distribution for HFC (hybrid fiber coaxial) network. The AC power source provides operating power to the amplifier's active components via coaxial cable. All amplifiers support two-way operation at various standard frequency splits available.

Features

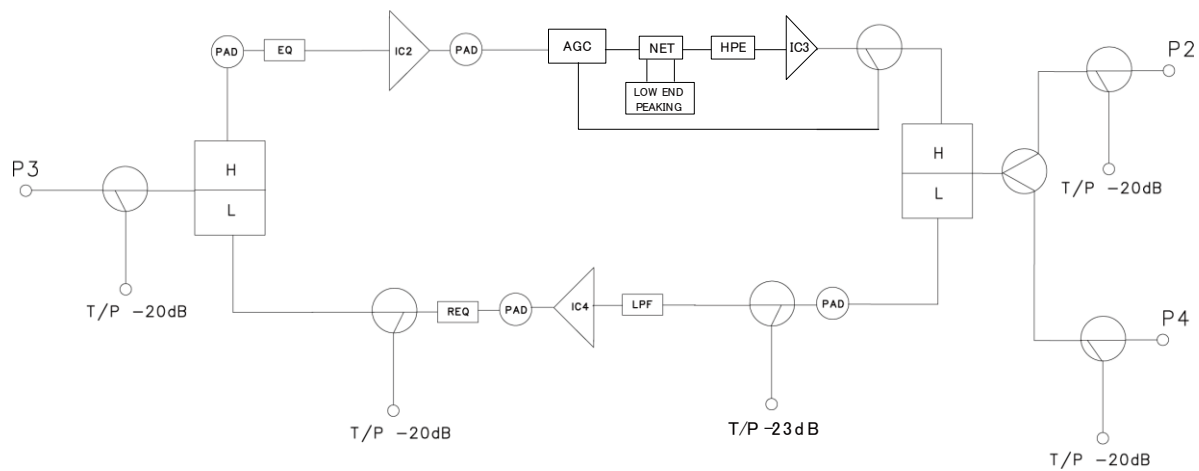
- ◆ Operating bandwidth 1002 MHz
- ◆ 40-90 VAC cable power
- ◆ -20 dB directional test points at the input and output port and after the return signal amplifier
- ◆ Pad Adjustable EQs & REQs
- ◆ Attenuator pad & equalizer guides to aid in proper insertion of plug-ins
- ◆ Two-way operation
- ◆ Gas tube surge protection
- ◆ 10 Amp power passing
- ◆ Compact size

BLOCK DIAGRAMS

LEA1 Amplifier Block Diagram (JXP Platform)
(One Output)



LEA1 Amplifier Block Diagram (JXP Platform)
(Two Outputs)



SPECIFICATIONS

ACI			LEA1 1002 MHz (JXP Platform)	
STATION PARAMETERS:				
DESCRIPTION	CONDITIONS	UNITS	SPECIFICATIONS	NOTES
Forward Bandwidth		MHz	54 ~ 1002	
Flatness		dB	± 0.75	
Gain Control Range		dB	0 to 20.0	in 0.5 dB step
Slope Control Range		dB	-9.0 to +18.0	
Operation Gain	Min.	dB	1 output = 37 2 outputs = 33	gain option referring to ordering matrix
Return Loss	Min.	dB	14	
Test Point		dB	-20 ± 1	
Frequency		MHz	@54 / 550 / 750 / 870 / 1002	
Output Level	@1002 MHz	dBmV	1 output = 50 2 outputs = 46	
Station Slope		dB	0 / 9.0 / 12.6 / 14.8 / 17.2	
Distortion: 550 MHz analog channel loading, NTSC 49 channels +450 MHz digital channel loading, 256 QAM at -6 dBc relative to its associated visual carrier				
Composite Triple Beat (CTB)		dBc	-75	
Composite Second Order (CSO)		dBc	-67	
Cross Modulation (XMOD)		dBc	-67	
Noise Figure		dB	< 10.0	
Surge Protection		kv	4	
REVERSE SPECTRUM				
Reverse Bandwidth		MHz	5 ~ 42	
Operation Gain	@202 MHz, Min.	dB	18	
Return Loss	Min.	dB	14	
Input Test Point		dB	- 20 ± 1 / -23 ± 1	-20 dB for 1 output; -23 dB for 2 outputs
Output Test Point		dB	- 20 ± 1	
Station Slope	Max.	dB	1.0	
Output Level	Flat	dBmV	39	

DESCRIPTION	CONDITIONS	UNITS	SPECIFICATIONS	NOTES
Distortions				
Channel loading		Channel	6	
Composite Triple Beat (CTB)		dBc	-77	
Composite Second Order (CSO)		dBc	-77	
Cross Modulation (XMOD)		dBc	-70	
Noise Figure		dB	< 10.0	
Maximum		W	24	
AC voltage input range		VAC	40-90	
Power Requirement				
Current Capacity		A	10	
Hum modulation		dBc	-60	
Physical				
Dimensions	W x H x L	cm	17 x 11.5 x 23.5	
Weight		kg	3	

Ordering Matrix

LEA1 1002 MHz Configuration Sheet

Customer: _____

Created By: _____

Order Date: _____

ORDERING MATRIX

2015.07.08

Position	1	2	3	4	5	6	7	8	9	10	11	12	13	14	15
PART NUMBER	L	E	A	1											

1-2-3 L E A

4 1 BANDWIDTH FREQUENCY
1 = 1002 MHz Upper Frequency

10-11 CONTROL TYPE / FREQUENCY
OM = Manual (AGC bypass)

5-6 GAIN (Station Port to Port)

		LEA1 (Standard)	
		1 Output	2 Outputs
Max gain with AGC/Thermal PAD		30	27
Max gain w/bypass		36	33

12 REVERSE AMPLIFIER STATION GAIN
0 = None
1 = Passive
2 = 18 dB min (2 output)
3 = 18 dB min (1 output)
6 = 24 dB min

		LEA1 (JXP Platform)	
		1 Output	2 Outputs
Max gain with AGC/Thermal PAD		30	26
Max gain w/bypass		36	32

13 SURGE PROTECTOR
1 = Gas Tube (for 1002 MHz)

7 TYPE OF STATION
1 = 1 Output Line Extender Amplifier
2 = 2 Passive Output Line Extender Amplifier

14 HOUSING
0 = No housing. Module only
1 = STD w / PS

8 DIPLEX FILTER SPLIT
2 = 204/258 3 = 30/37 4 = 42/53
6 = 65/85 8 = 85/105

15 SPECIAL SPEC (Determined by Product Management)
0 = No special instructions
2 = NGNA structure
J = Plug-in Platform of JXP structure of EQ & ATT(204/258 only)

9 STATION SLOPE
1 = 17.2 dB @ 1002 MHz
2 = 14 dB @ 1002 MHz

NOTES:

Structure

Accessories:

Forward all units-reverse if active

Plug-in equalizers 1 Reverse 1 Forward

Plug-in pad 1 Reverse 1 Forward

Attenuator Pads:

Pad: JXP100-xx dB from 0 to 20 in .5 dB increments

JXP Platform

Accessories:

Forward all units-reverse if active

Plug-in equalizers 1 Reverse 1 Forward

Plug-in pad 2 Reverse(1 for EQ) 2 Forward(1 for EQ)

Attenuator Pads:

Pad: JXP100-xx dB from 0 to 20 in .5 dB increments



ACI Communications, Inc.
23307 66th Avenue South
Kent, WA 98032

Rev A 02-08-2017 Printed in U.S.A.

ACI Communications, Inc. reserves the right to discontinue the manufacture or change specifications without prior notice on any parts illustrated in this data sheet. Registered trademarks are the property of their respective owners