

FT 5019 1310 nm Forward Transmitter



The FT 5019 is a 19 inch rack mount downstream 1310 nm transmitter.

Features:

- Standard 1U, 19 inch rack mount
- bandwidth 870 or 1002 MHz
- Optical power 6 dBm to 13 dBm
- Excellent CNR and low distortion performance
- Microprocessor control & monitoring
- AGC/MGC gain control mode
- LCD display on front panel
- RS485 interface for status monitoring
- Narrowcast Input (optional)

Specifications:

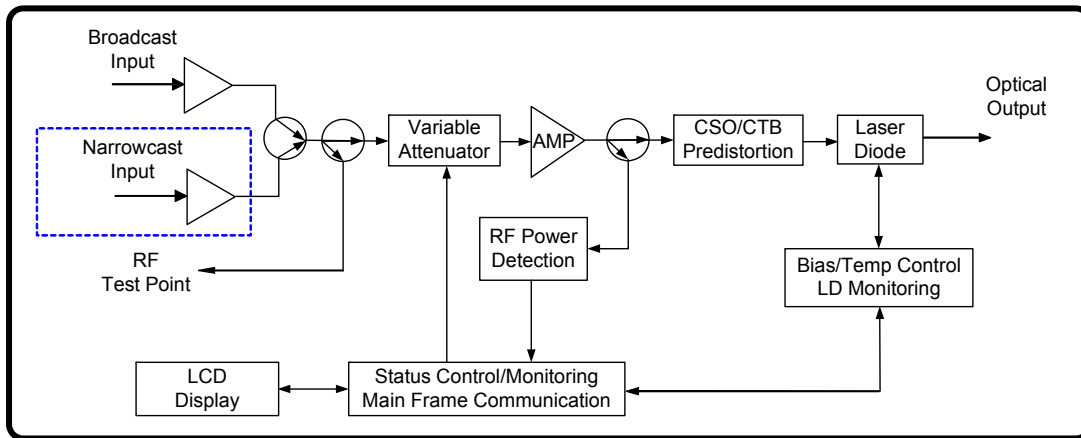
ACI Communications, Inc.			FT5019 1310 nm Forward Transmitter	
Optical Parameters	CONDITIONS	UNIT	SPECIFICATIONS	NOTES
Fiber type			Single mode fiber	
Optical wavelength		nm	1310 ±20	
Output power		dBm	6, 8, 9, 10, 11, 12, 13	
Connector			SC / APC (standard) FC / APC (optional)	
RF Parameters				
RF Bandwidth		MHz	45 - 870 or 45 - 1002	
Broadcast Input	@ 79 NTSC channel loading	dBmV / ch	20 ±5	
Narrowcast Input			-6 dB Digital QAM channel below equivalent analog channel (optional)	
Flatness	@ 45 - 870 MHz	±dB	0.75	
	@ 870 - 1002 MHz	±dB	1.0	
Test point		-dB	20	
Impedance		Ω	75	
Isolation	@ 45 - 870 MHz	dB	>60	
	@ 870 - 1002 MHz	dB	>50	
Return loss	@ 45 - 870 MHz	dB	≥16	
	@ 870 - 1002 MHz	dB	≥14	
Distortion				
CNR		dB	>52	1, 2, & 3
CSO		-dBc	<62	1, 2, & 3
CTB		-dBc	<66	1, 2, & 3
Power and Environmental / Mechanical				
Control interface			RS-485	
Power supply	Max	VAC, Hz, W	90 - 260, 50/60, 40	
Operating temperature		°C	0 to +50	
Storage temperature		°C	-40 to +60	
Humidity	Max	%	85	
Dimensions	W x H x D	mm	350 x 485 x 45	
Weight		Kg	<4.5	
Notes:				
1. SMF (SMF-28 or equivalent) of 12.5 km with passive loss and optical received power is 0 dBm.				
2. 79 NTSC channel, OMI= 3.6% per channel, receiver noise 7pA / √Hz, and optical responsivity ≥0.90 A / W at 1310 nm				
3. Specification are at room temperature (25 °C ±5 °C) for 0 °C and 50 °C, CSO/CTB would be lower by 2 dBc and CNR would be lower by 0.5 dB				

Confidential

Information contained in this document is subject to change without notice.

Revision date: 01/05/2009

Block Diagram



Configuration Worksheet

FT5019 Configuration Sheet

Customer: _____

Created By: _____ Order Date: _____

ORDERING MATRIX
September 3,2010

FT5019	—	1	2	3	4	5	6	7	8	9
FT5019	—			—			—		—	

1, 2

0	6
0	8
0	9
1	0
1	1
1	2
1	3

Output power

- = 6 dBm
- = 8 dBm
- = 9 dBm
- = 10 dBm
- = 11dBm
- = 12 dBm
- = 13 dBm

4, 5

S	C
F	C

Connector

- = SC/APC (STD)
- = FC/APC

7

Blank
N

= Broadcast Input only

= Broadcast & Narrowcast Inputs

9

Blank
G

= 870 MHz

= 1 GHz (1002 MHz)

ACI Communications, Inc.
23307 - 66th Avenue South - Kent, WA - 98032
Phone: (253) 854-9802 - Fax: (253) 813-1001 - www.acicomms.com



ACI Communications, Inc. reserves the right to discontinue the manufacture or change specifications without prior notice on any parts illustrated in this data sheet. Current drawings are available upon request.

RevH 9-03-2010 **ACI Communications, Inc.**
Printed in U.S.A.