



ACION 8000 Series

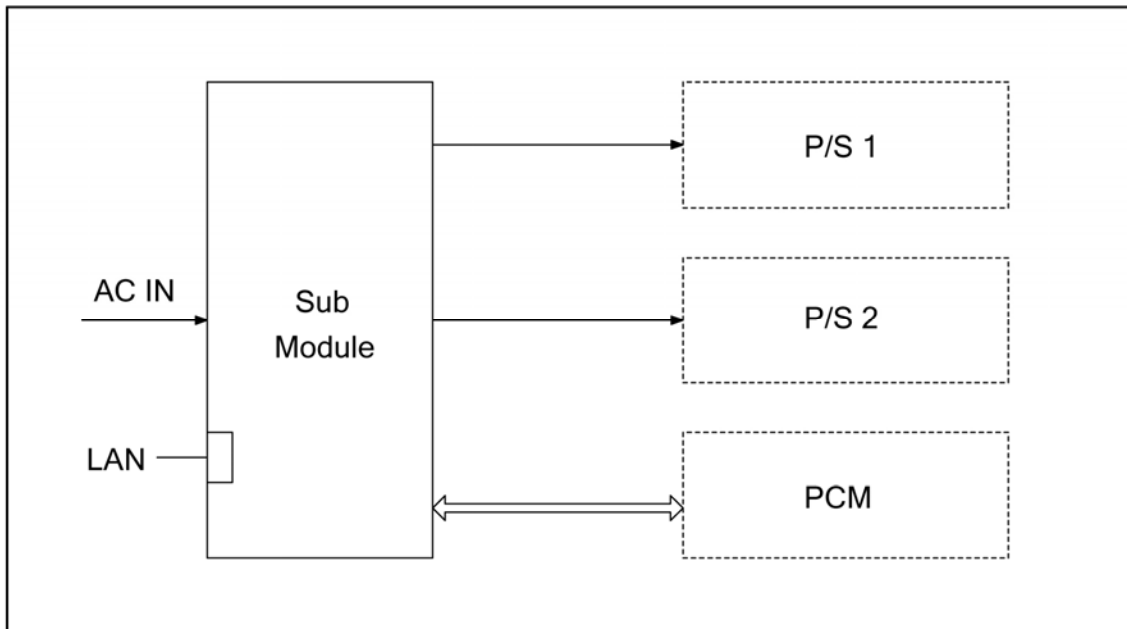
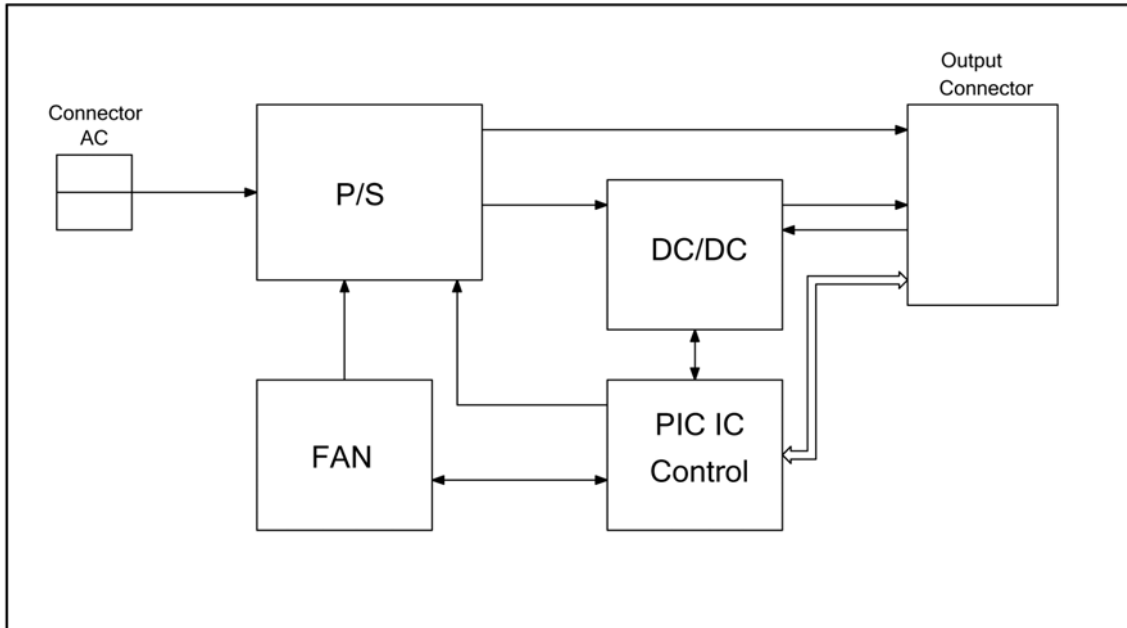
A8KAPS 90 to 240 VAC Power Supply

A8KAPS is an AC power supply module for the ACION 8000 headend platform. One power supply can support up to 12 application modules and the output power is 220 Watts. The redundancy and load sharing function is available with two power supplies installed. The power supply module provides hot-swap function. There are two built-in cooling fans for sufficient heat dissipation. Power supply status is shown by LED in front of the module and remote monitoring and control is possible through SNMP or HMS.

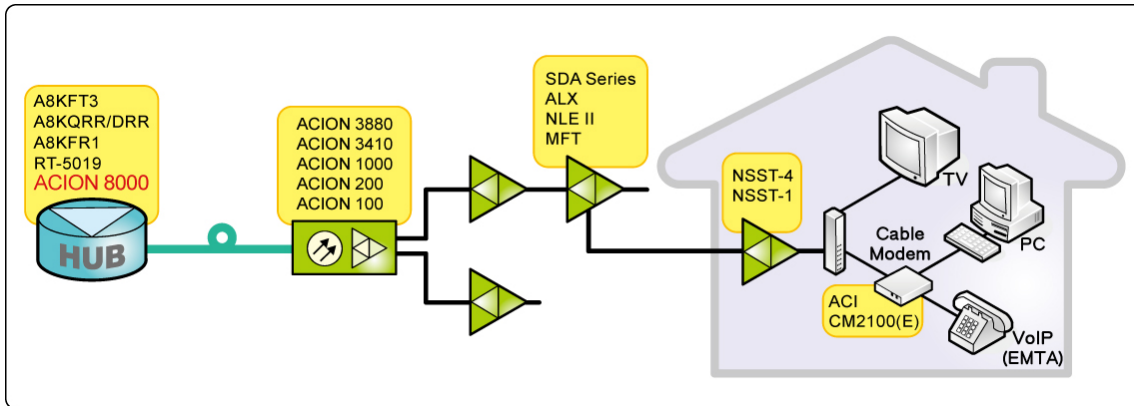
Features

- ◆ Redundant power supply and load sharing (option with 2 power supplies)
- ◆ Max input power range from 90 to 240 VAC
- ◆ 220 Watts output power capable
- ◆ Hot-swappable
- ◆ Two built-in cooling fans
- ◆ Remote monitor and control function by HMS or SNMP
- ◆ 1 power supply can support up to 12 application modules
- ◆ Operating temperature 32 to 122 °F (0 to 50 °)

Block Diagrams



Application



Specifications

ACI		ACION 8000 Series A8KAPS AC Power Supply		
PARAMETERS	CONDITIONS	UNITS	SPECIFICATIONS	NOTES
Input Specifications				
Input Voltage	AC	V	90 to 240	
Output Specifications				
Output current	+24VDC	A	8.4	
	+5VDC	A	3.6	
Output power	Max.	W	220	
Output voltage ripple	Peak to peak	mV	100	
Power Factor	Max.	%	95	
Efficiency	Max.	%	82	
General Specifications				
Module width		slot	2	
Dimensions	D X H X W	In (mm)	14.2 x 4.9 x 1.6 (359 x 123 x 40)	
Weight		lbs (kg)	3.3 (1.5)	
Operating Temperature		°F (°C)	32 to 122 (0 to 50)	
Relative humidity		%	0 to 95	

Ordering Matrix

A8KAPS Configuration Sheet								
Customer: _____								
Created By: _____				Order Date: _____				
ORDERING MATRIX						2010/9/3		
Position			1	2	3	4	5	6
PART NUMBER	A8KAPS	—	A	8	K		P	S
4 Powering								
<input type="checkbox"/> A	Standard AC power supply							
NOTES:								



ACI Communications, Inc.
 23307 66th Avenue South
 Kent, WA 98032

Rev J 10-06-2015 Printed in U.S.A.
 ACI Communications, Inc. reserves the right to discontinue the manufacture or change specifications without prior notice on any parts illustrated in this data sheet. Registered trademarks are the property of their respective owner