



ACI Communications, Inc. 

ACION 8000 Series

A8KDPS
DC Power Supply
(-48VDC input)

Overview

A8KDPS is a DC power supply module for the ACION 8000 optical head-end transmission platform. One power supply can support up to 12 application modules and the output power is 220 Watts.

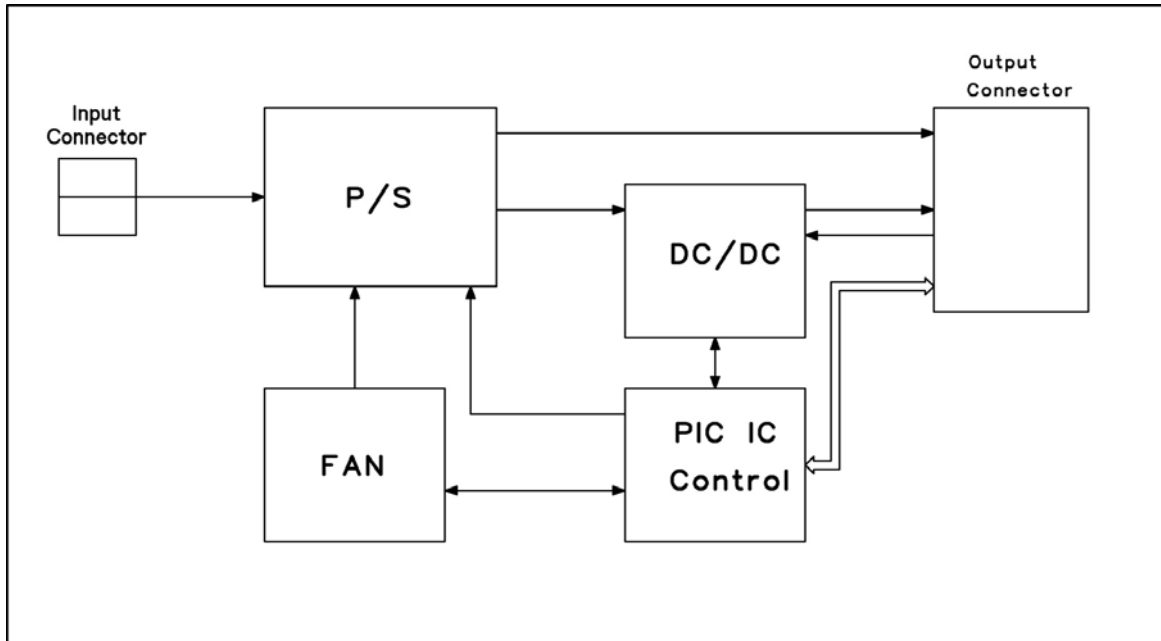
The redundancy and load sharing function is available with two power supplies installed. The power supply module provides hot-swap function. There are two built-in cooling fans for sufficient heat dissipation. Power supply status is shown by LED in front of the module and remote monitoring and control is possible through SNMP or HMS.

Features

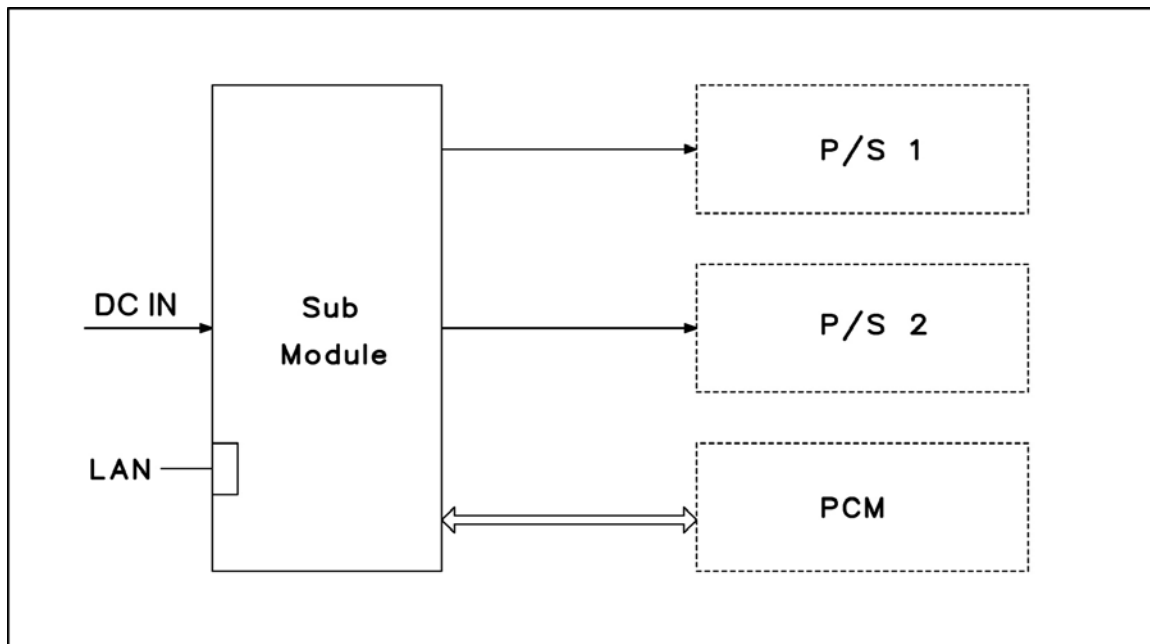
- Redundant power supply and load sharing (option with 2 power supplies)
- Max input power range from -40 to -60 VDC
- 220 Watts output power capable
- Hot-swappable
- Two built-in cooling fans
- Remote monitor and control function by HMS or SNMP
- One power supply can support up to 12 application modules
- Operating temperature from 32 to 122 °F (0 to 50 °C)

Block Diagram

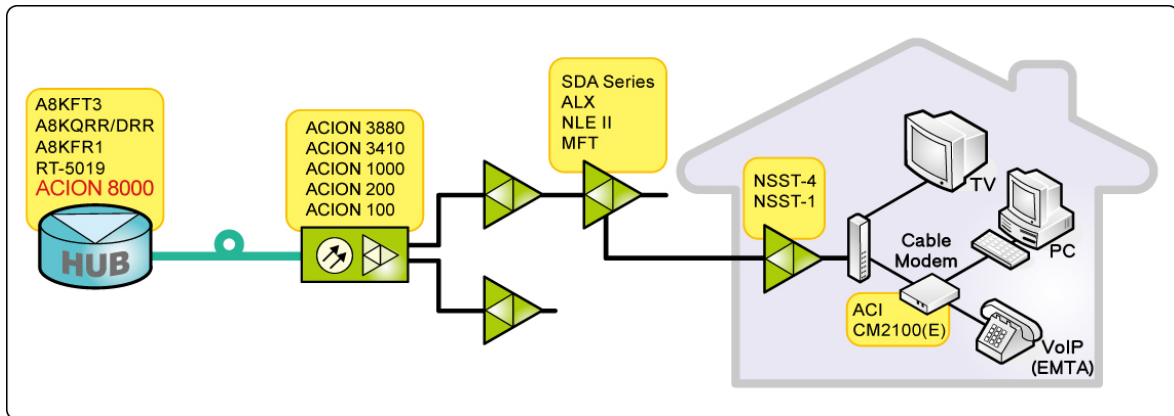
Power Supply Block Diagram



Connection to Input Sub Module



Application



Specifications

ACI Communications, Inc.		ACION 8000 Series A8KDPS DC Power Supply (-48VDC input)			
PARAMETERS	CONDITIONS	UNITS	SPECIFICATIONS	NOTES	TRUE reference
Input Specifications					
Input Voltage	DC	V	-40 to -60		
Output Specifications					
Output current	+24VDC	A	8.4		
	+5VDC	A	3.6		
Output power	Max.	W	220		
Output voltage ripple	Peak to peak	mV	100		
Power Factor	Max.	%	95		
Efficiency	Max.	%	82		
General Specifications					
Module width		slot	2		
Dimensions	D X H X W	In (mm)	14.2 x 4.9 x 1.6 (359 x 123 x 40)		
Weight		lbs (kg)	3.3 (1.5)		
Operating Temperature		°F(°C)	32 to 122 (0 to 50)		
Relative humidity		%	0 to 95		

Ordering Matrix

A8KDPS Configuration Sheet

Customer: _____

Created By: _____ Order Date: _____

ORDERING MATRIX

2012/7/19

Position	1	2	3	4	5	6	7	8	9	10
PART NUMBER	A	8	K		P	S	-			

4 Input Voltage type
D = DC input

5,6 Power Supply

8,9,10 Typical Input Voltage
N48 = - 48 Volt

NOTES:

ACI Communications, Inc. reserves the right to discontinue the manufacture or change the specifications without prior notice on any parts illustrated in the data sheet.

Address: 23307-66th Avenue South, Kent, WA-98032 USA

Phone: (253)854-9802 Fax: (253)813-1001

www.acicomms.com

Rev. B 07-19-'12 **ACI Communications, Inc.**